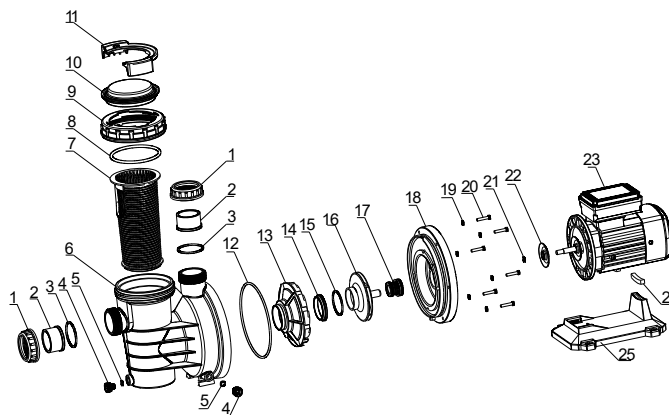
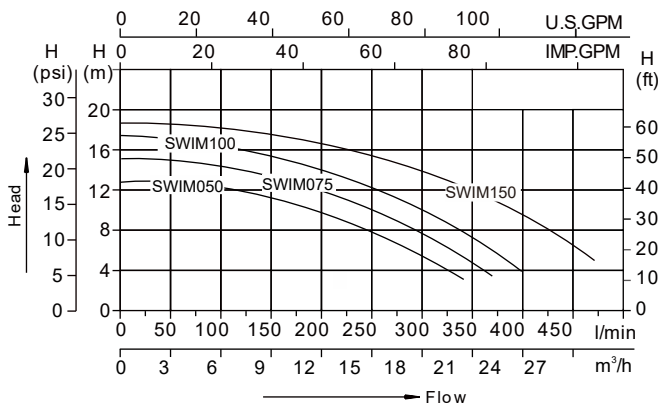


SWIMMING POOL PUMP

Swimming pool pumps are applied to liquid circulation and filtration of Spa and bath, swimming pools, water treatment facility and decoration pools, etc.

Technical parameter

Model	Voltage	Frequency	Power P1		Power P2		Current Amp	Max head m	Max flow L/min	Fitting size mm
			kW	HP	Kw	HP				
SWIM050	220-240V	60Hz	0.75	1.00	0.55	0.75	3.80	13	340.00	48.5 or 50
SWIM075	220-240V	60Hz	0.90	1.20	0.65	0.85	4.60	15	370.00	48.5 or 50
SWIM100	220-240V	60Hz	1.10	1.50	0.75	1.00	5.80	18	390.00	48.5 or 50
SWIM150	220-240V	60Hz	1.50	2.00	1.10	1.50	7.00	19	470.00	48.5 or 50



EXPLODED VIEW DRAWING - SPARE PARTS

No.	Description	No.	Description
1	Tie-in Nut	14	Activities Rings
2	Tie	15	O-Ring
3	O-Ring	16	Impeller
4	Drainage Plug	17	Mechanical Seal
5	O-Ring	18	Pump Cover
6	Pump Casing	19	Pad
7	Filter	20	Hexagon bolt
8	O-Ring	21	O-Ring
9	Gland cover	22	Retaining ring
10	Transparent cover	23	Motor
11	Open cover hand	24	Plastic strips
12	O-Ring	25	Base
13	Diffuser		

available also in 50HZ