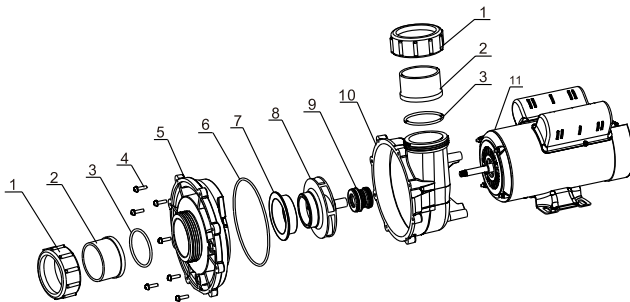
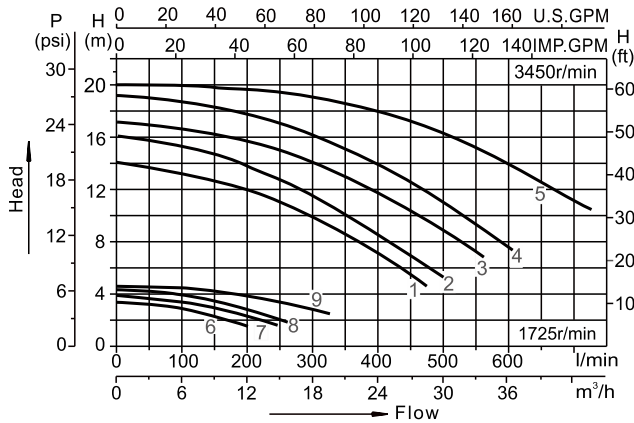


SPA PUMP

SPA pumps are most suitable for SPA pools, swimming pools spraying, and swimming pools. Convey liquid without particles and weak corrosivity (weak acid, weak base). Suitable for circulation in cooling equipment of plant.

Technical parameter

Model	Voltage	Frequency	Power P1		Power P2		Current	Max head	Max flow	Fitting size	Curves
			kW	HP	Kw	HP	Amp				
48WUA0753C- I	115/220V	60HZ	0.55	0.75	1.1	1.5	10/5.0	14	460	60.3 or 63	1
48WUA1003C- I	115/220V	60HZ	0.8	1	1.5	2	12/6.0	16	500	60.3 or 63	2
48WUA1653C- I	115/220V	60HZ	1.25	1.65	1.85	2.5	17/8.5	19	600	60.3 or 63	4
48WUA2002C- I	220V	60HZ	1.5	2	2.2	3	10	20	720	60.3 or 63	5
48WUA1001C- II	115V	60HZ	0.08	0.12	0.18	0.35	(Low speed)3.8	3	200	60.3 or 63	6
			0.75	1	1.1	1.5	(High speed)10.3	14	460	60.3 or 63	1
48WUA1501C- II	115V	60HZ	0.15	0.18	0.25	0.45	(Low speed)3.8	3.5	245	60.3 or 63	7
			1.1	1.5	1.5	2	(High speed)13.8	17	560	60.3 or 63	3
48WUA1002C- II	220V	60HZ	0.08	0.12	0.18	0.35	(Low speed)2.0	3	200	60.3 or 63	6
			0.8	1	1.1	1.5	(High speed)5.2	14	460	60.3 or 63	1
48WUA1502C- II	220V	60HZ	0.15	0.18	0.25	0.45	(Low speed)2.6	4.2	260	60.3 or 63	8
			1.1	1.5	1.85	2.5	(High speed)8.0	19	600	60.3 or 63	4
48WUA2002C- II	220V	60HZ	0.2	0.25	0.35	0.65	(Low speed)3.0	4.5	320	60.3 or 63	9
			1.5	2	2.2	3	(High speed)10.0	20	720	60.3 or 63	5



EXPLODED VIEW DRAWING - SPARE PARTS

No.	Description	No.	Description
1	Tie-in Nut	8	Impeller
2	Tie	9	Mechanical Seal
3	O-Ring	10	Casing
4	Cross recessed pan head screw and washer assemblies	11	Motor
5	Pump Cover		
6	O-Ring		
7	Activities Rings		

available also in 50HZ