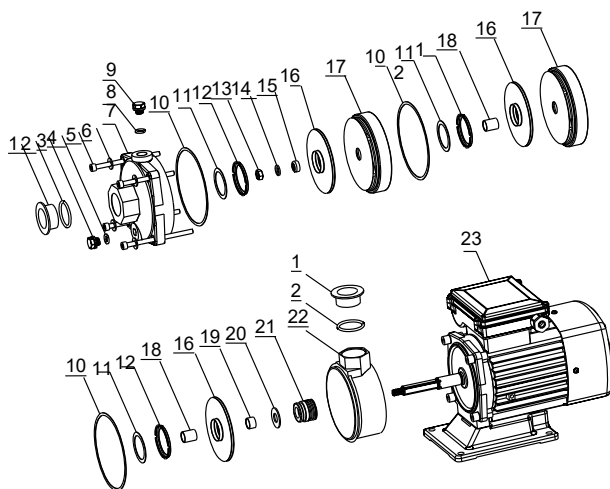
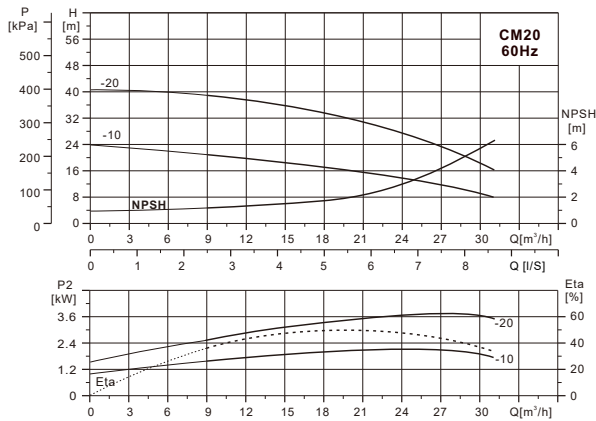
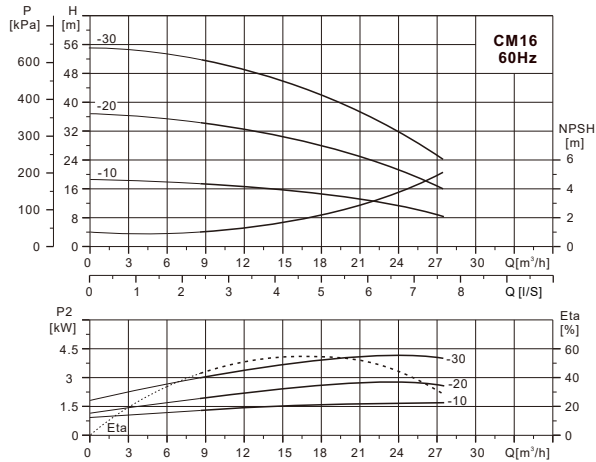


HORIZONTAL MULTISTAGE PUMP



EXPLODED VIEW DRAWING - SPARE PARTS

No.	Description	No.	Description
1	Dust cap	13	Locked Nut
2	O-Ring	14	Spring washer
3	Plug	15	Impeller Fix Ring
4	O-Ring	16	Impeller
5	Inside hexagonal bolt	17	Middle section
6	Spring washer	18	Long sleeve
7	Inlet Section	19	Short sleeve
8	O-Ring	20	Axes Washer
9	Plug	21	Mechanical Seal
10	Seal gasket	22	Outlet section
11	Impeller seal Ring	23	Motor
12	Mouth piece outer ring		

available also in 50HZ