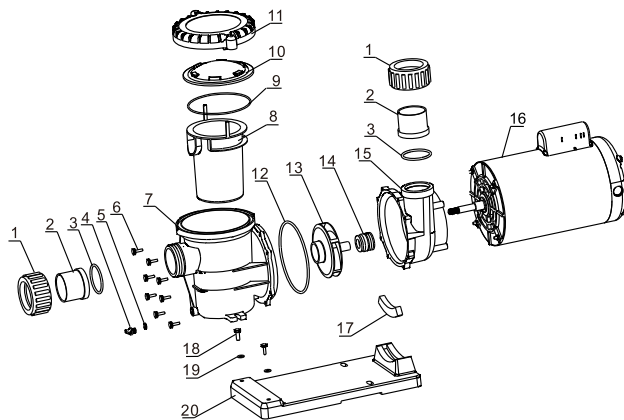
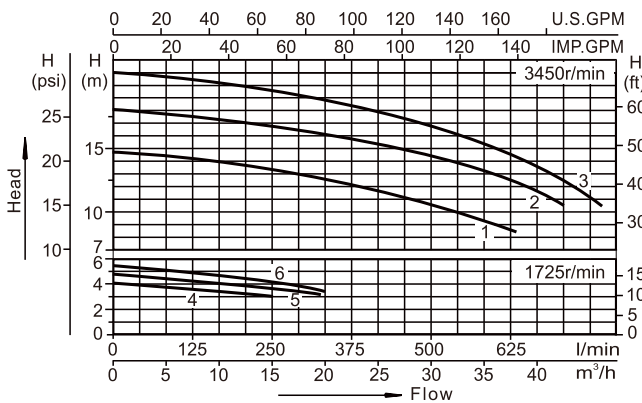


# SWIMMING POOL PUMP

Swimming pool pumps are applied to liquid circulation and filtration of Spa and bath, swimming pools, water treatment facility and decoration pools, etc.

## Technical parameter

Model	Voltage	Frequency	Power P1		Power P2		Current Amp	Max head m	Max flow L/min	Fitting size mm	Curves
			kW	HP	Kw	HP					
SUA200-I	220-240V	60Hz	1.10	1.50	1.5	2.0	8.00	14.50	635	60.3 or 63	1
SUA300-I	220-240V	60Hz	1.50	2.00	2.2	3.0	10.00	18.00	710	60.3 or 63	2
SUA400-I	220-240V	60Hz	2.00	2.50	3.0	4.5	12.00	21.00	765	60.3 or 63	3
SUA200-II	220-240V	60Hz	0.18	0.25	0.37	0.5	(Low speed)3.0	3.00	280	60.3 or 63	4
	220-240V	60Hz	1.10	1.50	1.5	2.00	(High speed)8.0	14.50	635	60.3 or 63	1
SUA300-II	220-240V	60Hz	0.22	0.30	0.6	0.75	(Low speed)3.5	3.50	300	60.3 or 63	5
	220-240V	60Hz	1.50	2.00	2.2	3.00	(High speed)10	18.00	710	60.3 or 63	2
SUA400-II	220-240V	60Hz	0.30	0.40	0.6	0.75	(Low speed)4.4	4.00	350	60.3 or 63	6
	220-240V	60Hz	2.00	2.50	3.0	4.50	(High speed)12	21.00	765	60.3 or 63	3



### EXPLODED VIEW DRAWING - SPARE PARTS

No.	Description	No.	Description
1	Tie-in Nut	11	Gland Cover
2	Tie	12	O-Ring
3	O-Ring	13	Impeller
4	Drainage Plug	14	Mechanical seal
5	O-Ring	15	Pump Casing
6	Hexagon head bolt and plain washer assembling	16	Motor
7	Pump Cover	17	Block Gine
8	Filter	18	Hexagon bolt
9	Transparent cover pad	19	Washer
10	Transparent Cover	20	Foot

available also in 50HZ