

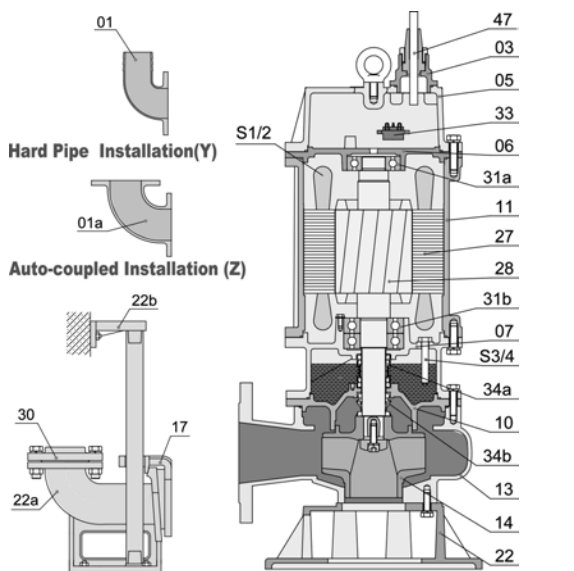
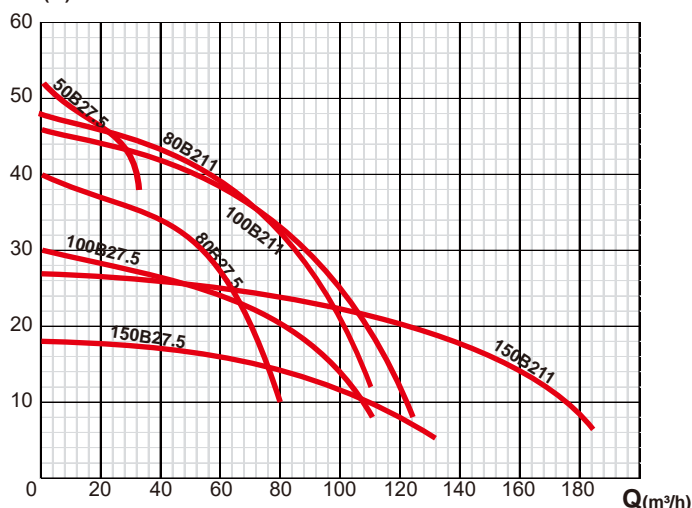
SEWAGE PUMP

Sewage pumps Non-clogging double vane impeller can pump large solids. They cover a full range of head. Chrome plating of shaft ensure high corrosion resistance and wear resistance. Designed for pumping sewage, waste water, rainwater and living water containing solid grains, various fabric, sludge and solid.

Technical parameter

Model	Voltage	Frequency	Power		Current Amp	H.Max m	Q.Max m³/h	Size Inch	G.W Kg
			kW	HP					
50B27.5	380V	60Hz	7.5	10	15.7	52	37	NPT2"	129
80B27.5	380V	60Hz	7.5	10	15.7	40	80	NPT3"	134
100B27.5	380V	60Hz	7.5	10	15.7	34/30	110	NPT4"	140
150B27.5	380V	60Hz	7.5	10	15.7	20/18	160/135	NPT6"	154
80B211	380V	60Hz	11	15	22	48	110	NPT3"	147
100B211	380V	60Hz	11	15	22	48/46	125	NPT4"	151
150B211	380V	60Hz	11	15	22	29/27	200/185	NPT6"	165

H(m) PERFORMANCE CHART AT n=3450min⁻¹



EXPLODED VIEW DRAWINGS - SPARE PARTS

No.	Description	No.	Description
01	Hose coupling	22a	Coupling seat
01a	Hose coupling	22b	Upper guide support
03	Terminal box	27	Stator
05	Upper cover	28	Rotor
06	Up-Bearing house	30	Flange
07	Bearing house	31a	Bearing
10	Seal bracket	31b	Bearing
11	Motor body	33	Motor protector
13	Pump body	34a	Mechanical seal
14	Impeller	34b	Mechanical seal
17	Coupling adapter	47	Cable
22	Seat assembly		

available also in 50HZ