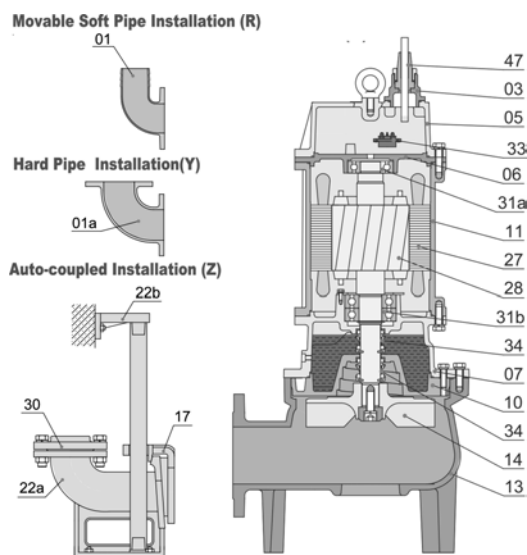
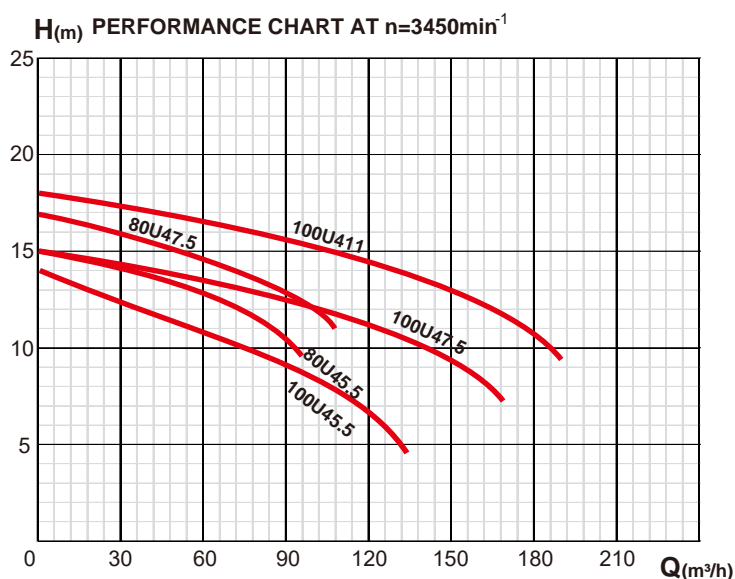


SEWAGE PUMP

Sewage pumps The vortex impeller resides out of volute: therefore any solid that can enter the inlet is able to traverse the channel via vortex action. The Sic Mechanical Seal has great wear resistance. Watertight cable entry system protects the motor from water and moisture in case of cable damaged and submerged. Built-in thermal protector automatically stops pump in event of open phase, short circuit, overloading and overheating.

Technical parameter

Model	Voltage	Frequency	Power		Current Amp	H.Max m	Q.Max m³/h	Size Inch	G.W Kg
			kW	HP					
80U45.4	380V	60Hz	5.5	7.5	11.7	15	95	NPT3"	145
100U45.5	380V	60Hz	5.5	7.5	11.7	14	135	NPT4"	149
80U47.5	380V	60Hz	7.5	10	15.7	17	110	NPT3"	161
100U47.5	380V	60Hz	7.5	10	15.7	15	165	NPT4"	165
100U411	380V	60Hz	11	15	22	18	190	NPT4"	170



EXPLODED VIEW DRAWING - SPARE PARTS

No.	Description	No.	Description
01	Hose coupling	22a	Coupling seat
01a	Hose coupling	22b	Upper guide support
03	Terminal box	27	Stator
05	Upper cover	28	Rotor
06	Up-Bearing house	30	Flange
07	Bearing house	31a	Bearing
10	Seal bracket	31b	Bearing
11	Motor body	33	Motor protector
13	Pump body	34	Mechanical seal
14	Impeller	47	Cable
17	Coupling adapter		

available also in 50HZ