

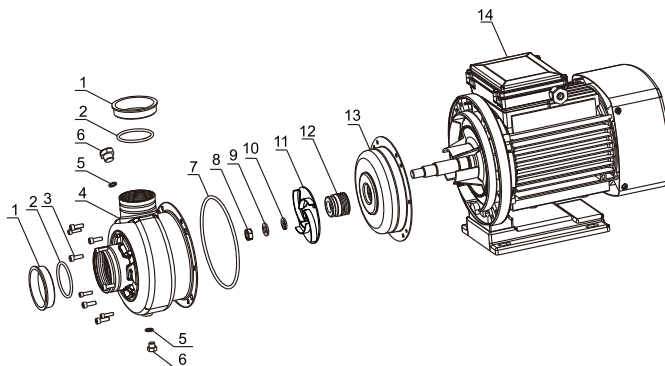
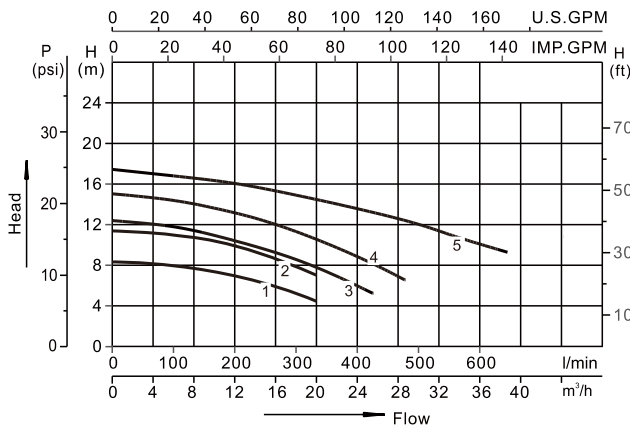
# CENTRIFUGAL PUMP

**Centrifugal Pumps** are suitable for both domestic and industrial applications to convey clean liquids and non-aggressive chemical fluids. These pumps are characterized by low head and high capacity.

## 60Hz - Technical parameter

| Model      | Voltage | Frequency | Power P2 |      | Current | Rated head | Rated flow        | DNA     | DNM     | Curves |
|------------|---------|-----------|----------|------|---------|------------|-------------------|---------|---------|--------|
|            |         |           | kW       | HP   | Amp     | m          | m <sup>3</sup> /h |         |         |        |
| DWK100A(T) | 220V    | 60HZ      | 0.55     | 0.75 | 4       | 7.00       | 12.00             | G1 1/2" | G1 1/2" | 1      |
| DWK100(T)  | 220V    | 60HZ      | 0.75     | 1.00 | 5       | 7.00       | 12.00             | G1 1/2" | G1 1/2" | 1      |
| DWK120A(T) | 220V    | 60HZ      | 0.75     | 1.00 | 5       | 10.00      | 12.00             | G1 1/2" | G1 1/2" | 2      |
| DWK120(T)  | 220V    | 60HZ      | 1.00     | 1.40 | 6       | 10.00      | 12.00             | G1 1/2" | G1 1/2" | 2      |
| DWK150(T)  | 220V    | 60HZ      | 1.10     | 1.50 | 7       | 7.80       | 18.00             | G2"     | G2"     | 3      |
| DWK200(T)  | 220V    | 60HZ      | 1.50     | 2.00 | 9       | 10.50      | 18.00             | G2"     | G2"     | 4      |
| DWK300(T)  | 220V    | 60HZ      | 2.20     | 3.00 | 14      | 11.00      | 30.00             | G2 1/2" | G2"     | 5      |

PERFORMANCE CHART AT n=3450min<sup>-1</sup>



**EXPLODED VIEW DRAWING - SPARE PARTS**

| No. | Description.           | No. | Description     |
|-----|------------------------|-----|-----------------|
| 1   | Dust cap               | 8   | Hexagonal Nut   |
| 2   | O-Ring                 | 9   | Washer          |
| 3   | Inside hexagonal bolt  | 10  | Spring washer   |
| 4   | Pump housing component | 11  | Impeller        |
| 5   | O-Ring                 | 12  | Mechanical seal |
| 6   | Plug                   | 13  | Pump Cover      |
| 7   | O-Ring                 | 14  | Motor           |

available also in 50Hz