

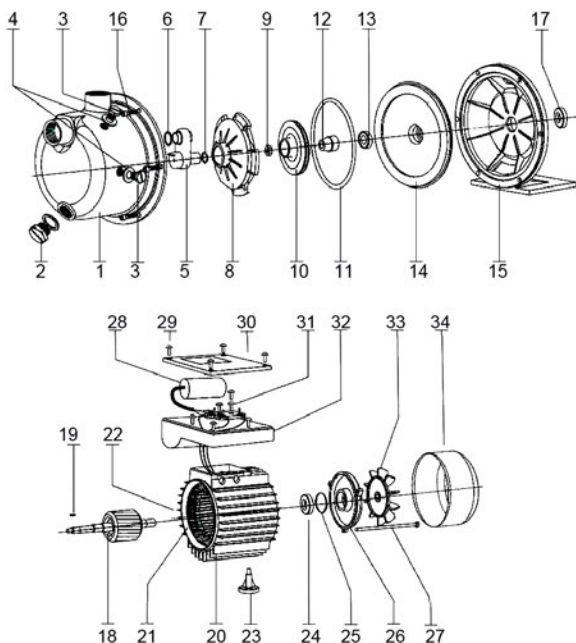
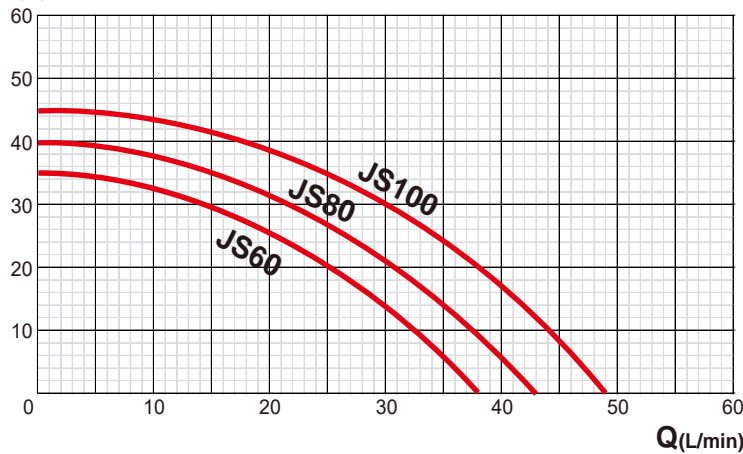
SELF-PRIMING PUMP

Self-priming Pumps are equipped with a Venturi system. They are suitable to convey clean water and non-aggressive chemical fluids, even with liquid mixed with gas, from well in continuous duty; they are also indicated to increase water pressure in centralized water systems, for small irrigation systems, for watering gardens, for washing systems with water jets, for fountains, etc. It is normally advisable to install a foot valve on the suction end.

60Hz - Technical parameter

| Model | Voltage | Frequency | Power | | Current | H.Max m | Q.Max L/min | Size inch | S.Head m | G.W kg |
|-------|-----------|-----------|-------|------|---------|------------|----------------|--------------|-------------|-----------|
| | | | kW | HP | amp | | | | | |
| JS60 | 110V/220V | 60Hz | 0.37 | 0.5 | 4.9/2.9 | 35 | 38 | G1"×G1" | 8 | 6.8 |
| JS80 | 110V/220V | 60Hz | 0.55 | 0.75 | 6.9/3.5 | 40 | 43 | G1"×G1" | 8 | 8.2 |
| JS100 | 110V/220V | 60Hz | 0.75 | 1 | 10/5.5 | 45 | 49 | G1"×G1" | 8 | 9.2 |

H(m) PERFORMANCE CHART AT n=3450min⁻¹



EXPLODED VIEW DRAWING - SPARE PARTS

- | No. | Description. | No. | Description. |
|-----|-------------------|-----|--------------------|
| 1 | Pump Body | 18 | Motor Rotor |
| 2 | Coper Screw | 19 | Shaft Key |
| 3 | Flit Plug Screw | 20 | Motor Body |
| 4 | Seal | 21 | Stator |
| 5 | Fluidic Device | 22 | Stator Coil |
| 6 | Jet Seal | 23 | Motor Foot |
| 7 | Jet Seal | 24 | Ball Bearing |
| 8 | Propelling Sheave | 25 | Spring Washer |
| 9 | Locking Nut | 26 | Motor End Cover |
| 10 | Impeller | 27 | Tie Bolt |
| 11 | O Ring | 28 | Capacitor |
| 12 | Mechanical Seal | 29 | Terminal Box Screw |
| 13 | Mechanical Seal | 30 | Terminal Cover |
| 14 | Pump Cover Board | 31 | Screw |
| 15 | Motor Front Cover | 32 | Terminal Box |
| 16 | Screw | 33 | Fan |
| 17 | Ball Bearing | 34 | Fan cover |

available also in 50Hz