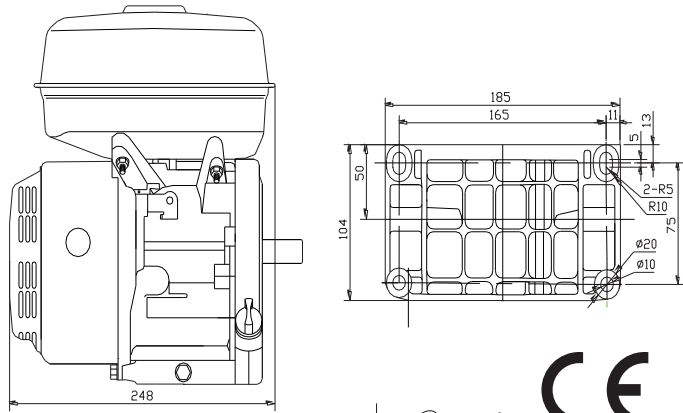
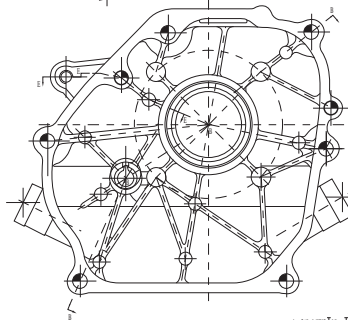
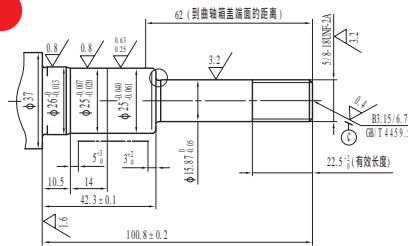


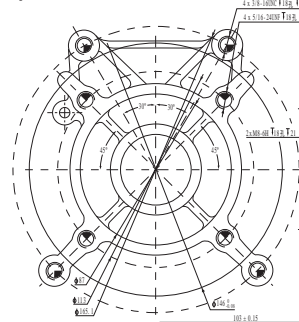
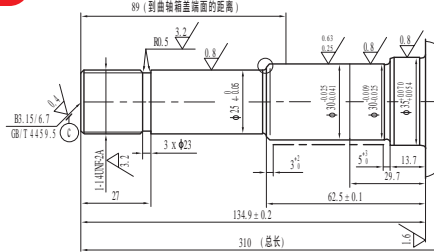
GASOLINE ENGINE



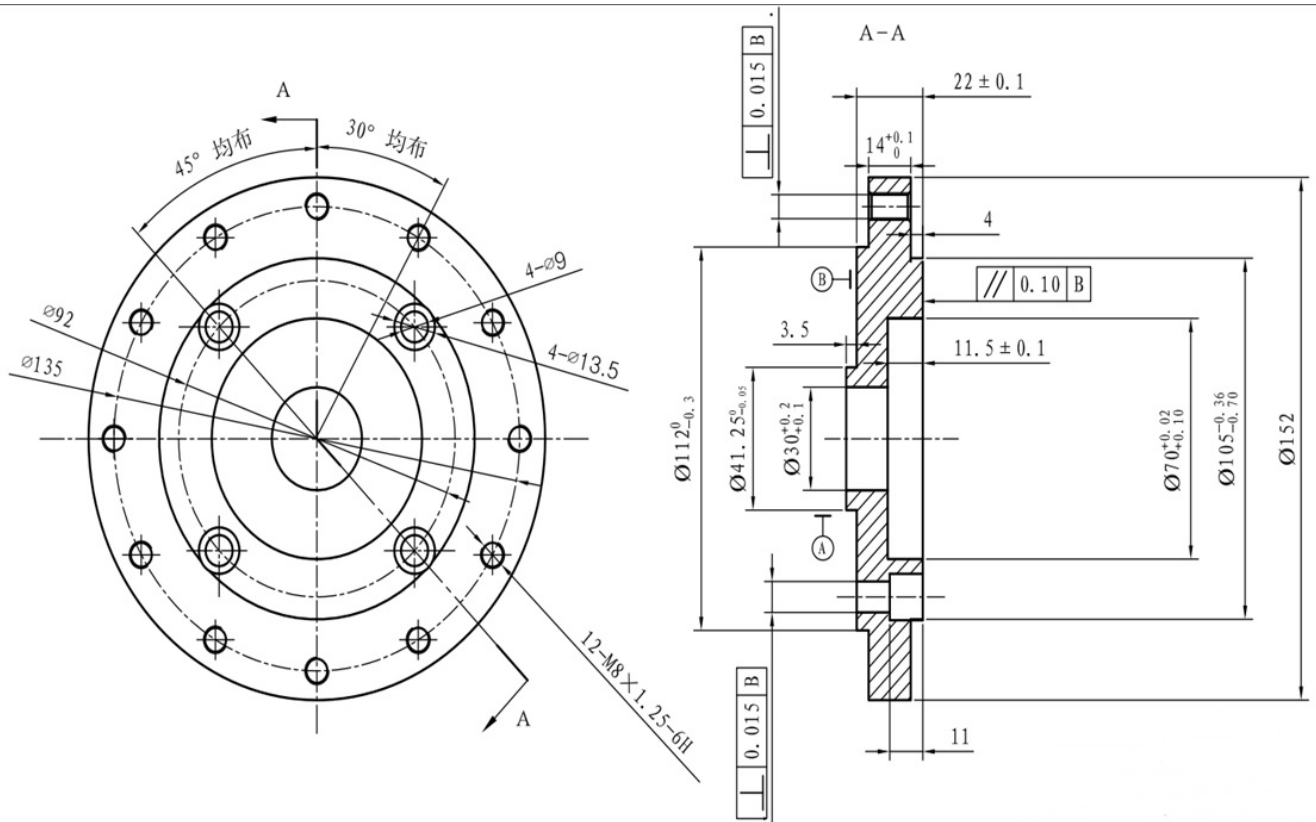
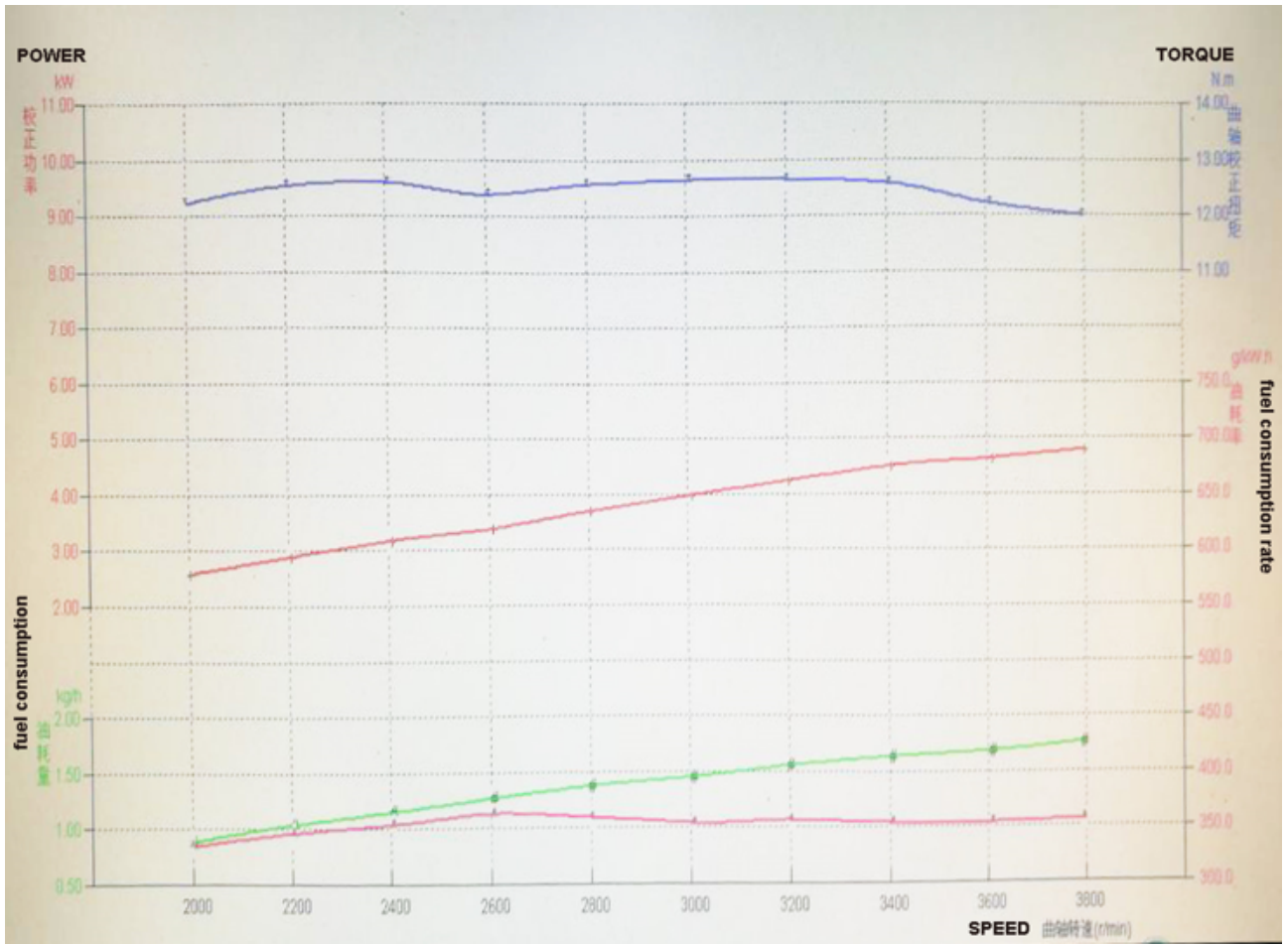
NK168FB

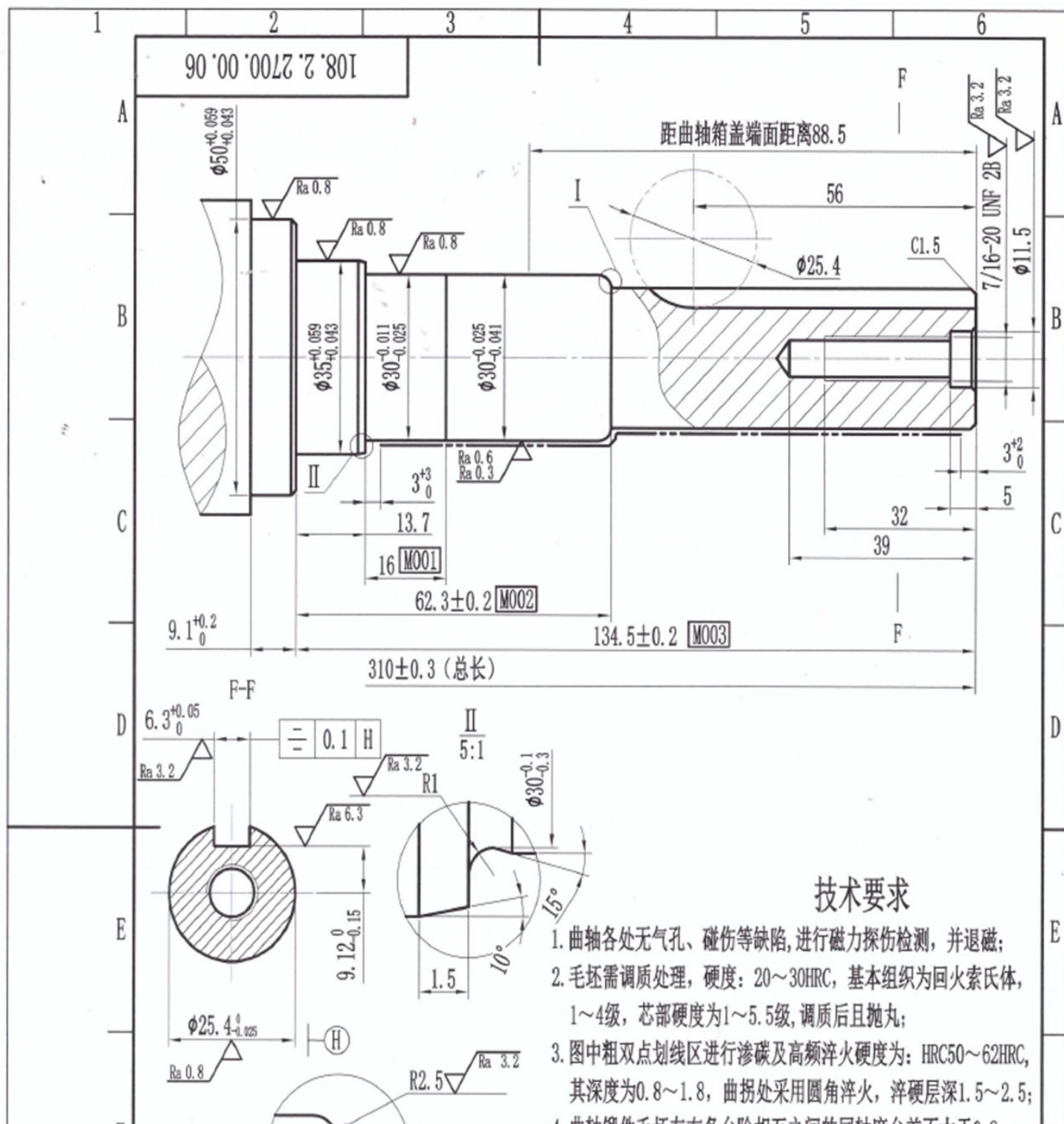


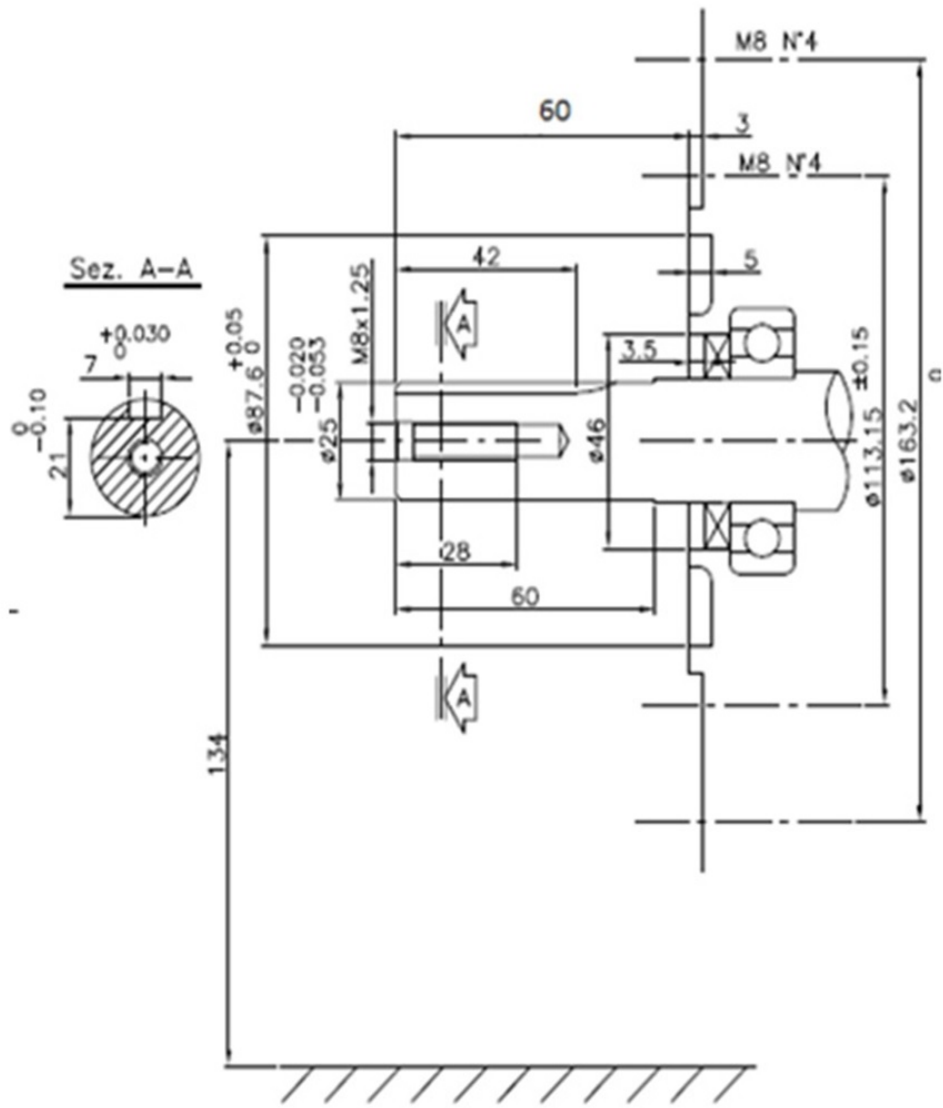
NK177F



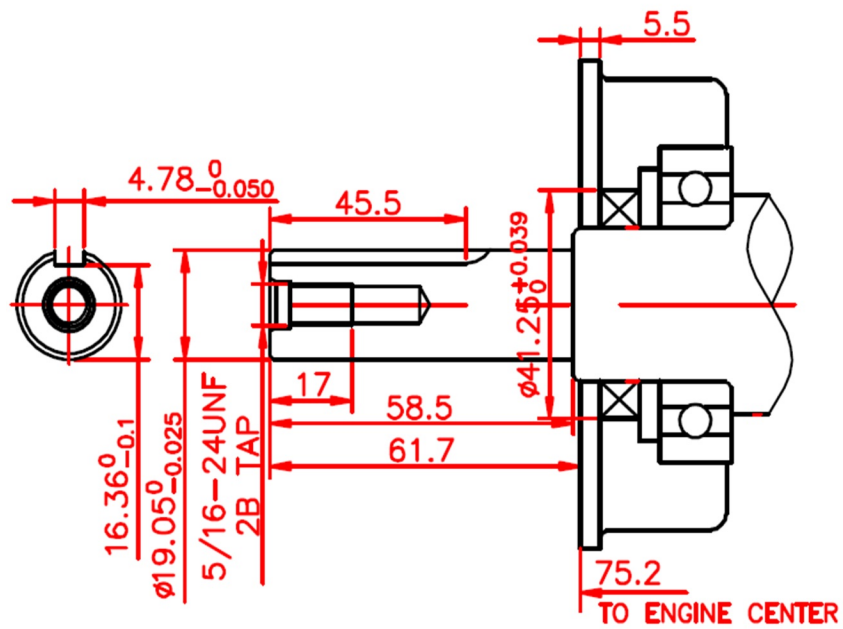
Model		NK168FA	NK168FB	NK177F
Engine Type		Single-cylinder vertical 4-stroke		
Bore*Stroke	mm	68*48	68*54	77*58
Displacement	cc	163	196	270
Rotation Speed	rpm	3600	3600	3600
Max. Output Power	HP	5.5	6.5	9
Fuel Tank Capacity	Lt	3.6	3.6	6
Oil Capacity	ml	0.6	0.6	1.1
Starting System		Recoil or Electric	Recoil or Electric	Recoil or Electric
Compression Ratio		8.5:1	8.5:1	8.2:1
Overall Dimension	mm	415*340*385	415*340*385	465*330*450
Weight	Kg	15/17	16/18	25/27
20GP/40GP/40HQ Loading	pcs	510/1060/1254	510/1060/1254	390/820/970
Emission Compliance		Available also in Stage V		



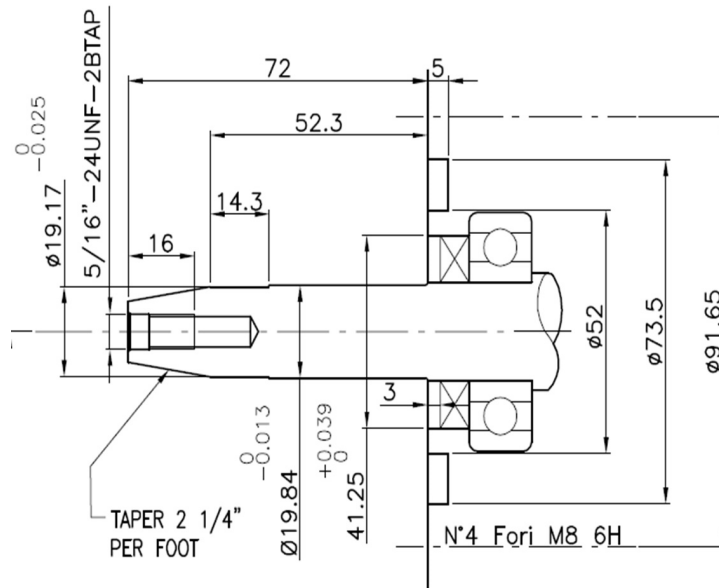
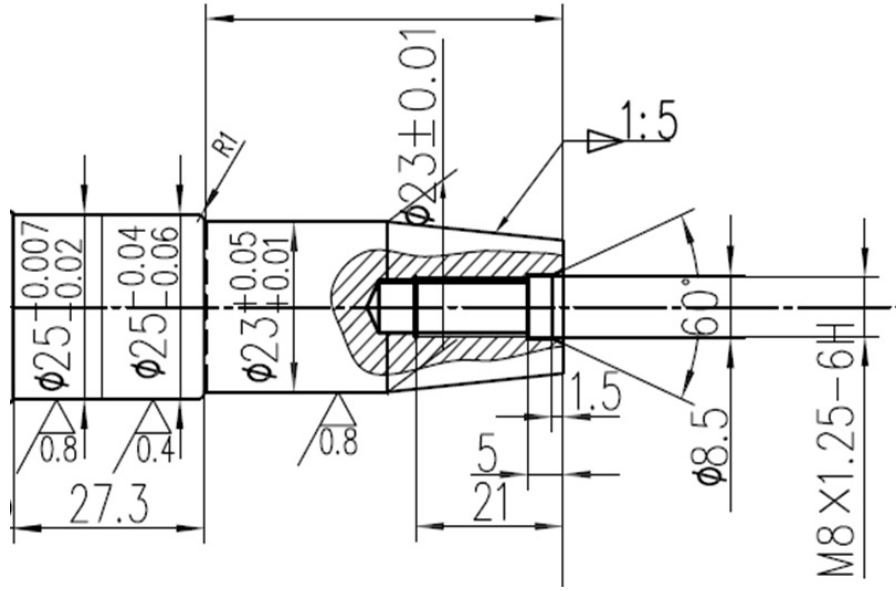




Q type 170F



至动力曲轴箱盖端面距离51



Size:A (mm)	Size:B (mm)	Size:C (mm)	Size:D (mm)	Size:E (mm)	Size:F (mm)
370	310	335	106	115	255

