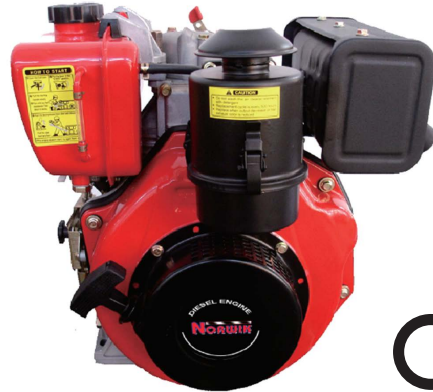
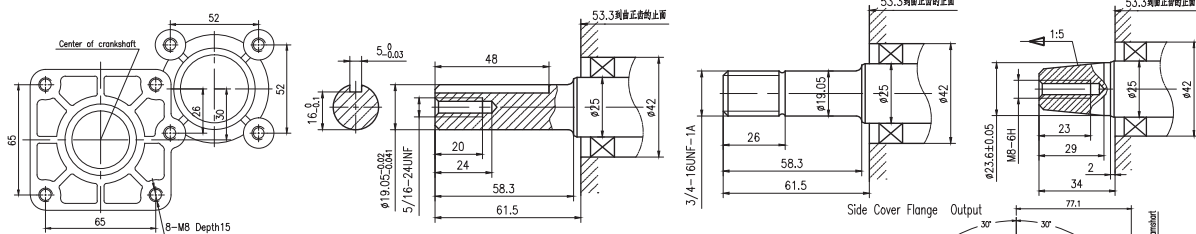


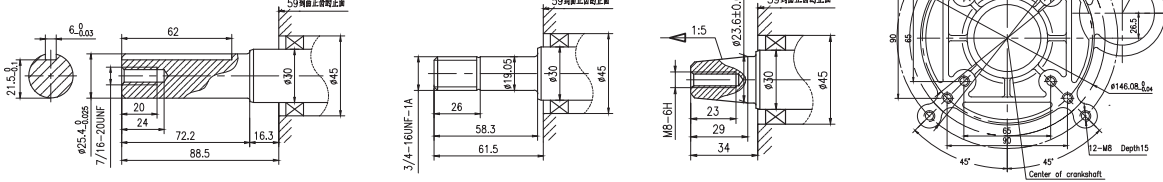
**AIR COOLED DIESEL ENGINE**



**NK170F**

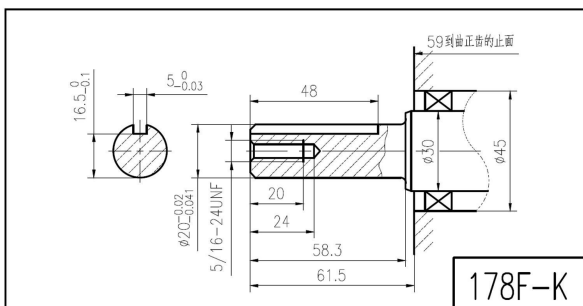
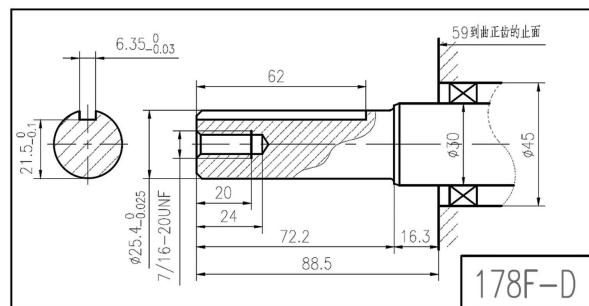
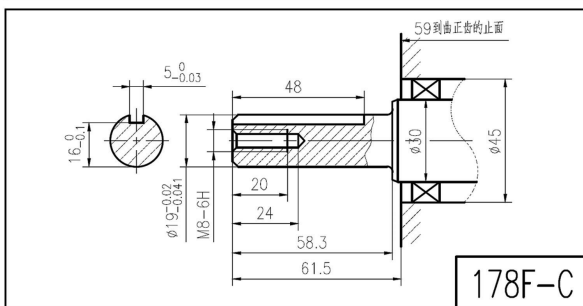
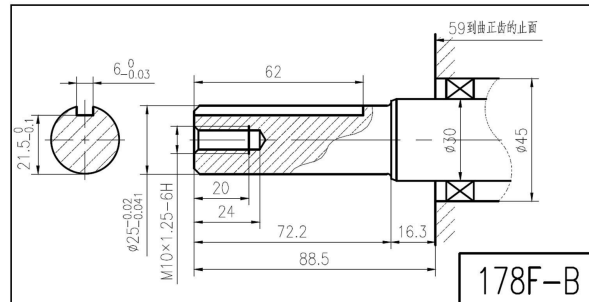
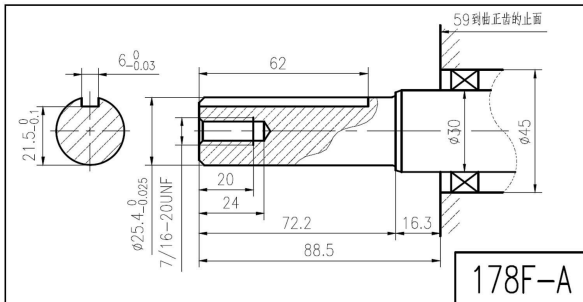
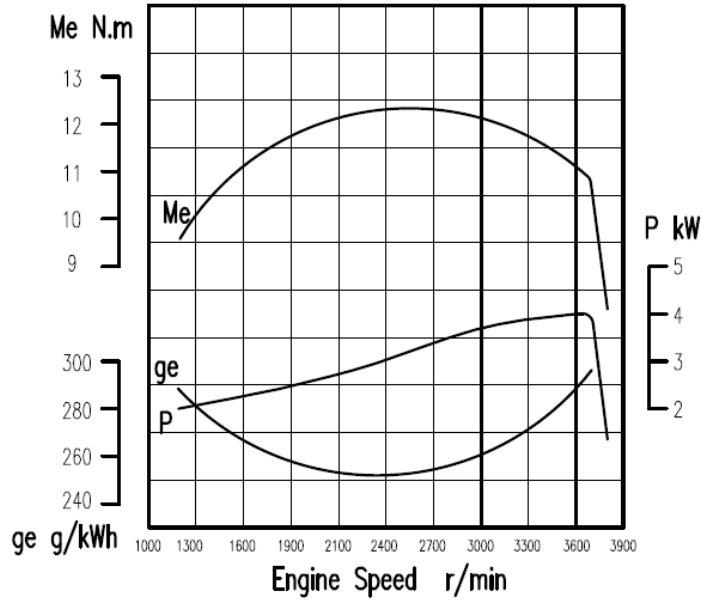


**NK178F**



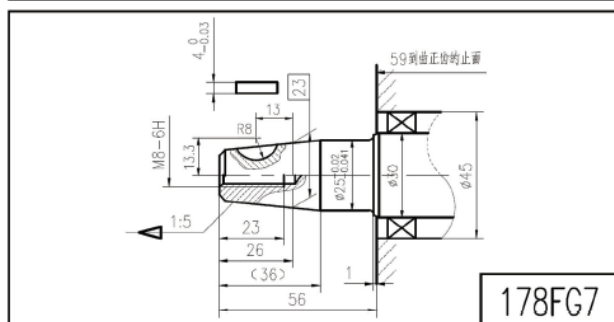
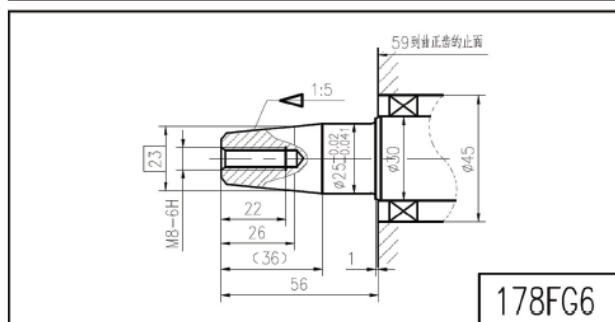
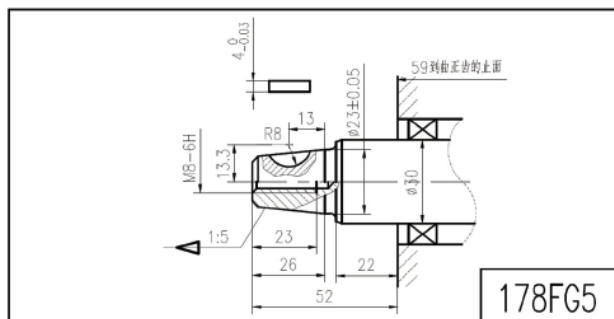
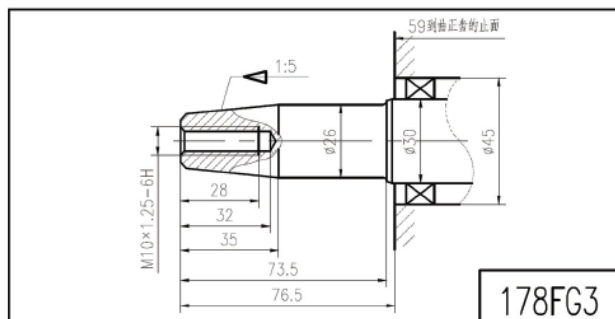
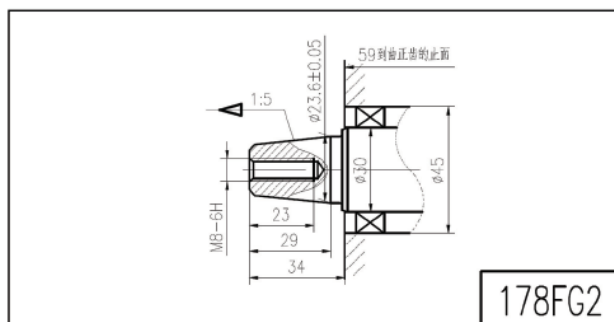
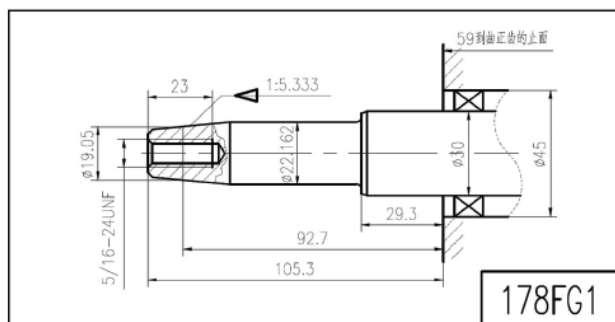
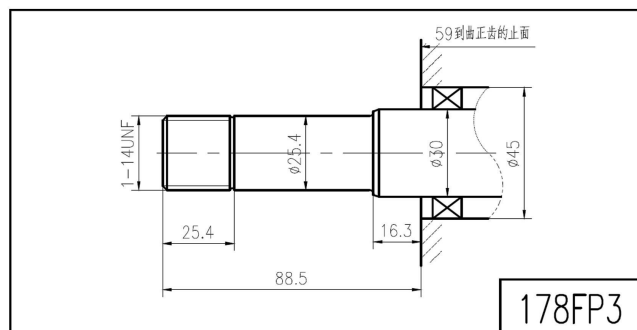
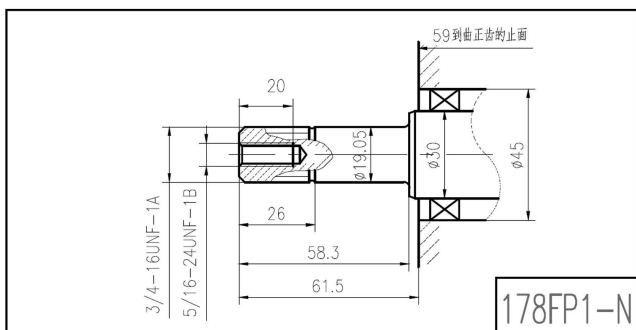
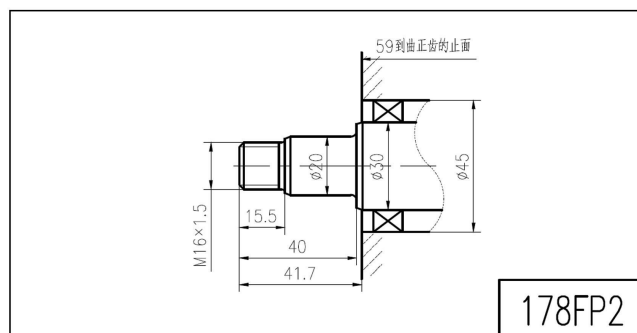
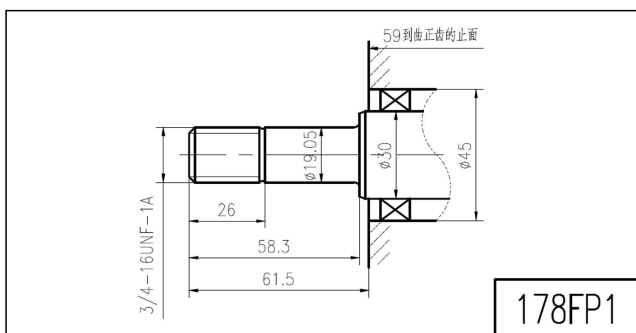
Model		NK170F	NK178F
Engine Type		Single-cylinder vertical	4-stroke direct injection
Bore*Stroke	mm	70*55	78*62
Displacement	cc	211	296
Rotation Speed	rpm	3600	3600
Max. Output Power	HP	5	7
Fuel Tank Capacity	Lt	2.5	3.5
Oil Capacity	ml	750	1100
Fuel Consumption	gr/Kw*h	<295	<280
Starting System		Recoil or Electric	Recoil or Electric
Compression Ratio		19:1	19:1
Overall Dimension	mm	420x380x470	480x460x520
Weight	Kg	25/27	32/34
20GP/40GP/40HQ Loading	pcs	390/840/922	240/480/600

# 178F Performance Curves

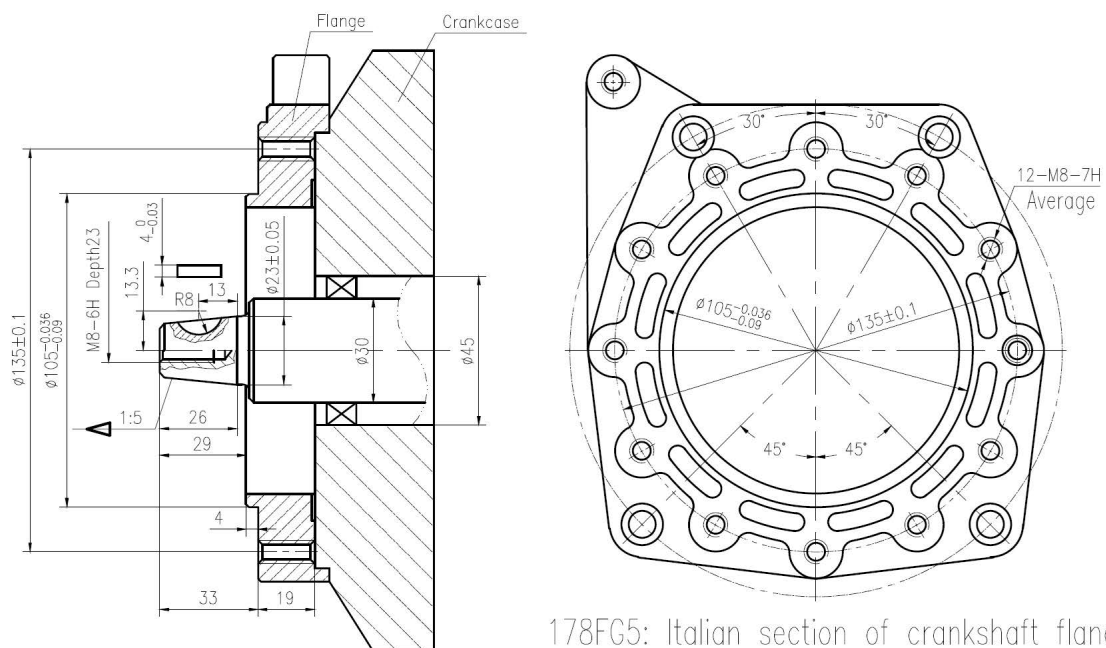
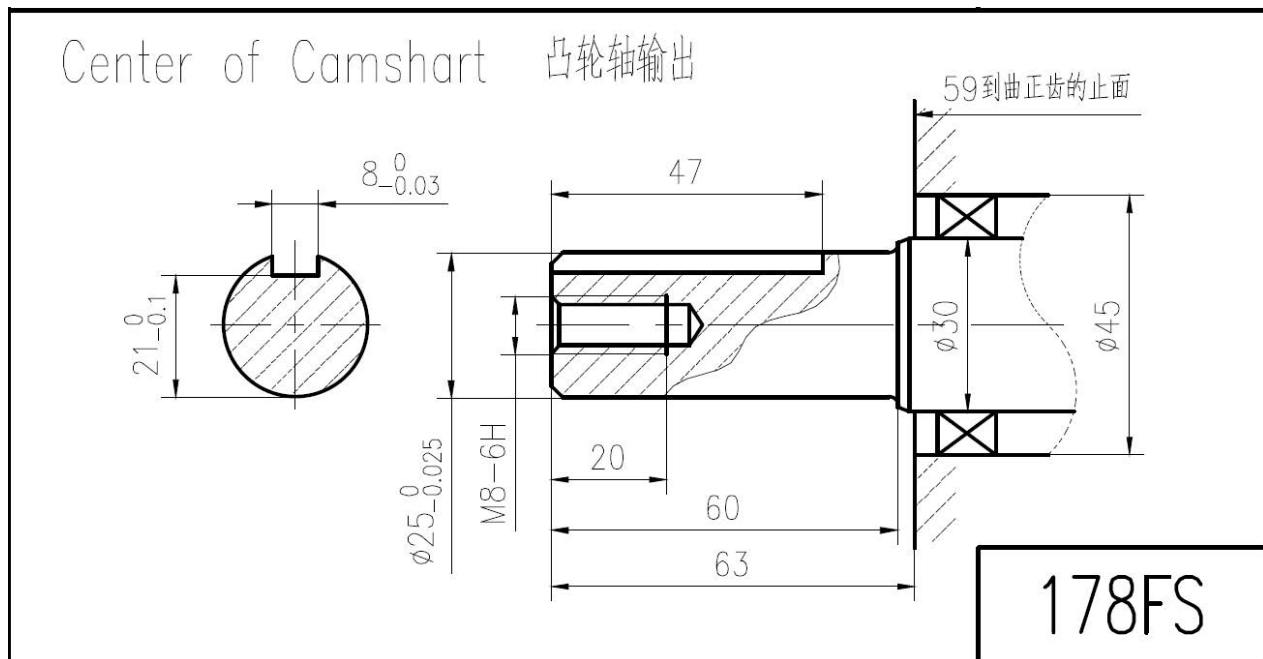
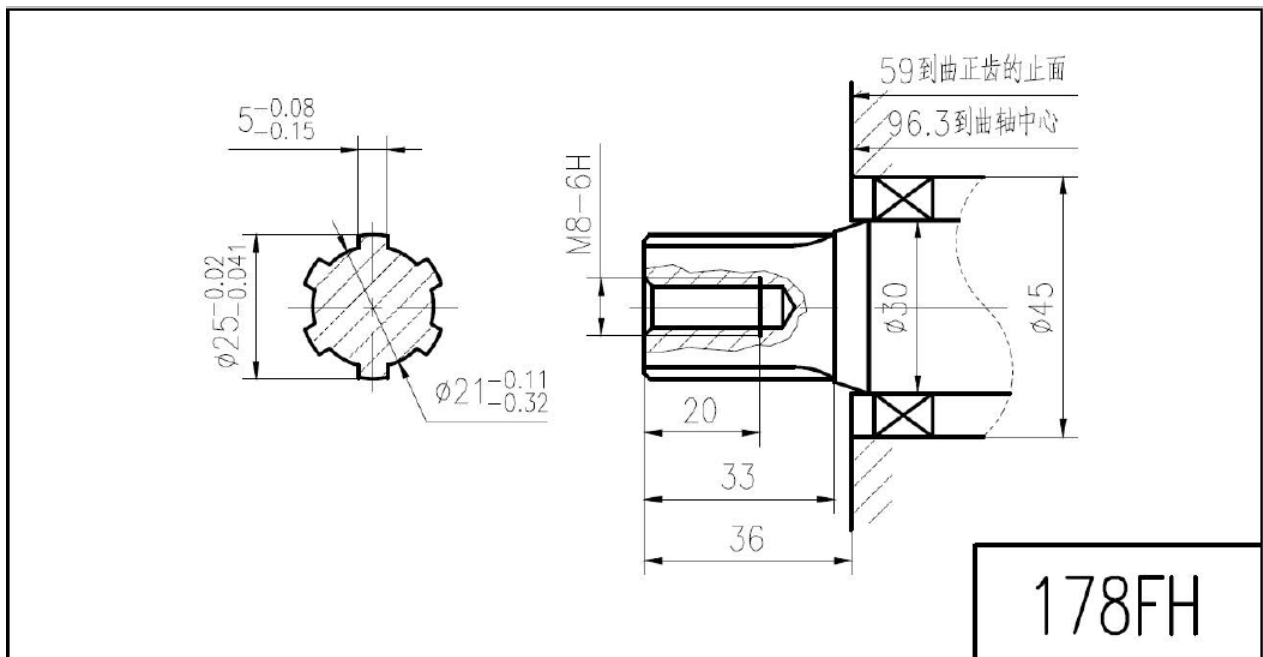


NK178F  
ALBERI CILINDRICI CON CHIAVETTA

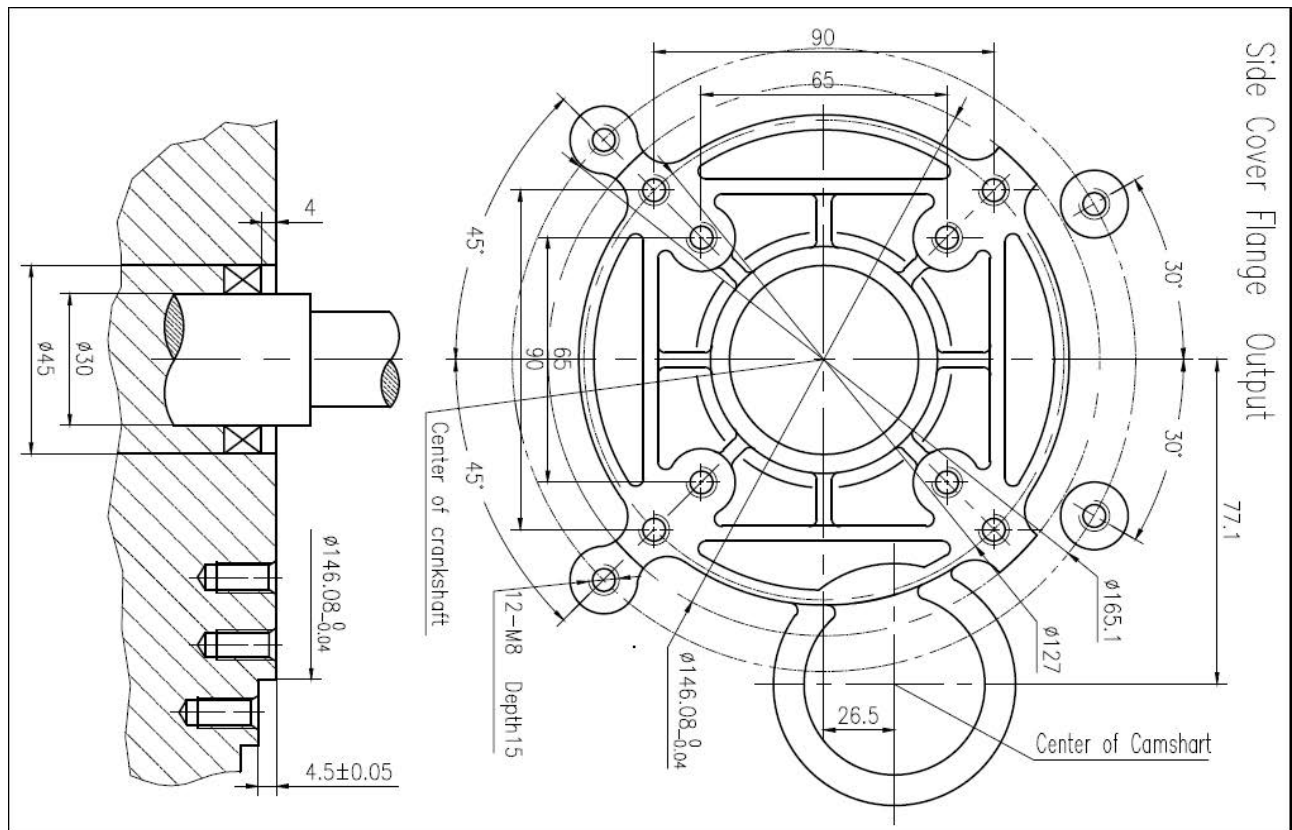
NK178F  
ALBERI CILINDRICI FILETTATI



NK178F - ALBERI CONICI



178FG5: Italian section of crankshaft flange output



Model	Size:A (mm)	Size:B (mm)	Size:C (mm)	Size:D (mm)	Size:E (mm)	Size:F (mm)
SH178F/E	421	383	450	145	213	208

