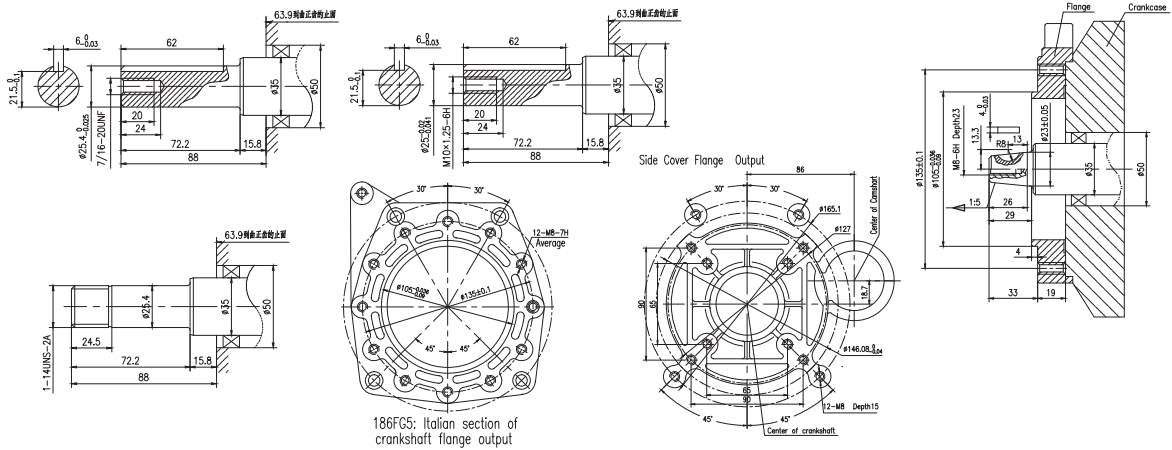


AIR COOLED DIESEL ENGINE

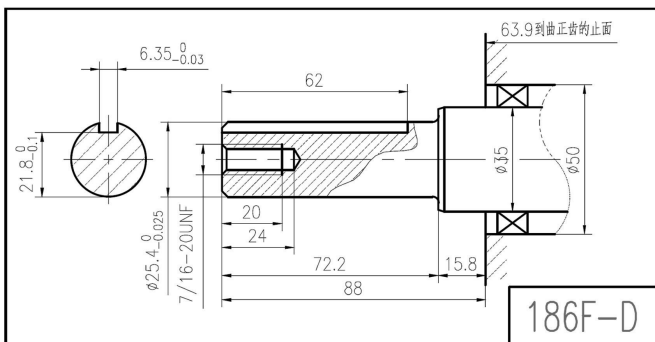
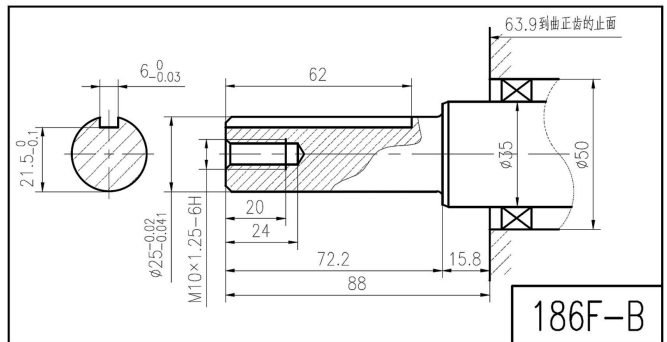
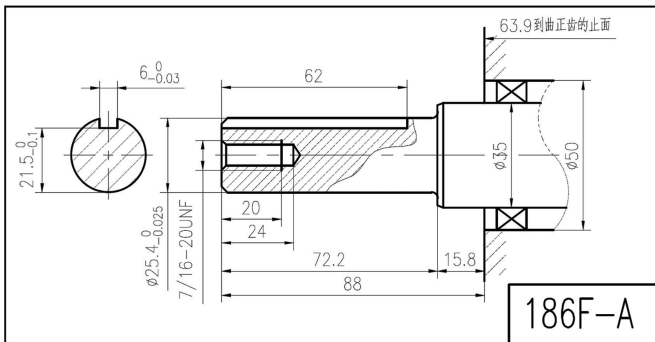
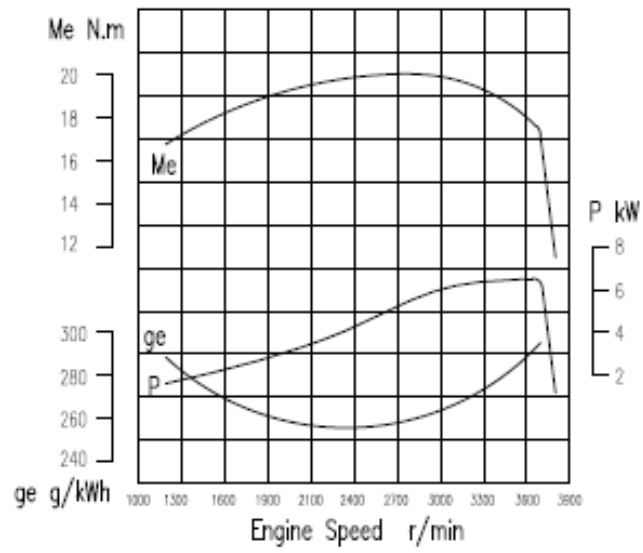


NK186FA/NK188FA

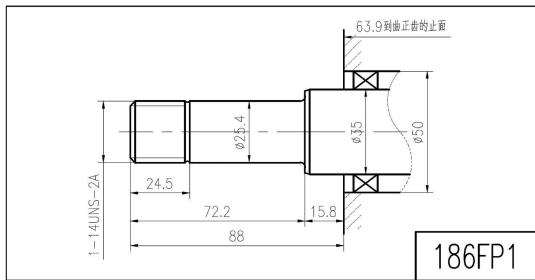


Model		NK186FA	NK188FA
Engine Type		Single-cylinder vertical	4-stroke direct injection
Bore*Stroke	mm	86*72	88*72
Displacement	cc	418	438
Max Rotation Speed	rpm	3600	3600
Max Output Power	HP	10	10.5
Fuel Tank Capacity	Lt	5.5	5.5
Oil Capacity	ml	1650	1650
Fuel consumption	gr/Kw*h	<270	<270
Starter Model		Recoil or Electric	Recoil or Electric
Compression Ratio		19:1	19:1
Overall Dimension	mm	500x460x555	500x460x555
Weight	Kg	45/47	46/48
20GP/40GP/40HQ Loading	pcs	220/460/529	220/460/529
Emission Compliance		Available also in Stage V	

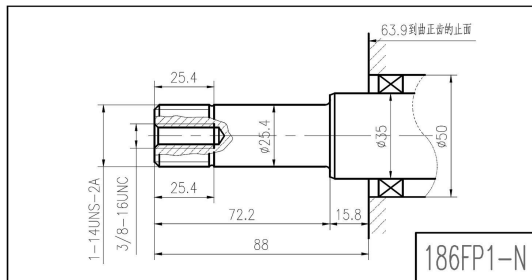
186FA Performance Curves



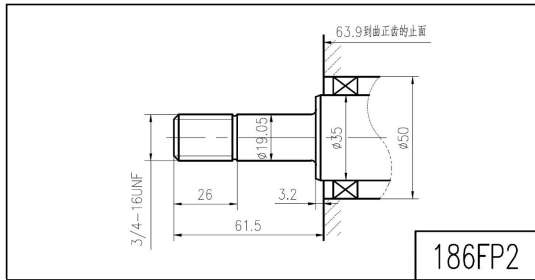
NK186F - NK192F
ALBERI CILINDRICI CON CHIAVETTA



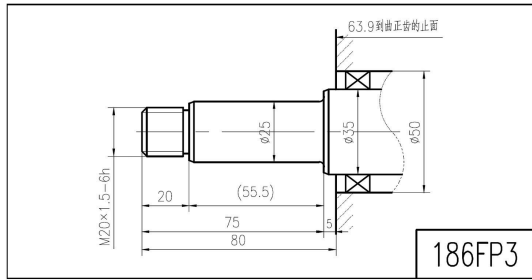
186FP1



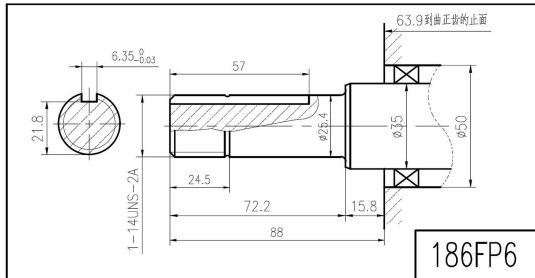
186FP1-N



186FP2



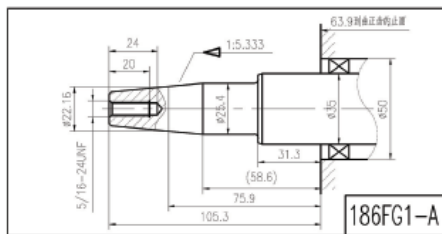
186FP3



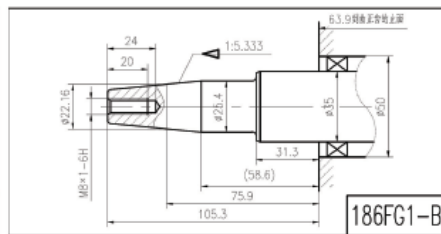
186FP6

NK186F - NK192F
ALBERI CILINDRICI FILETTATI E
E FILETTATO CON CHIAVETTA

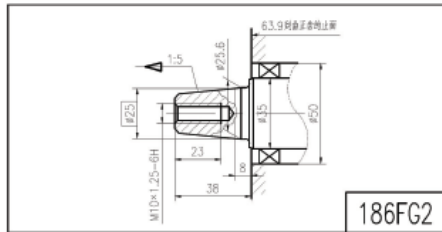
NK186F NK192F
ALBERI CONICI



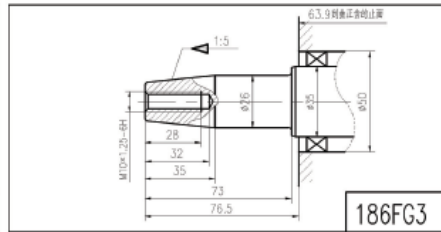
186FG1-A



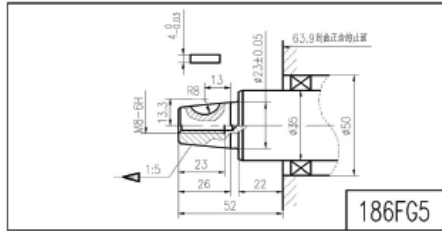
186FG1-B



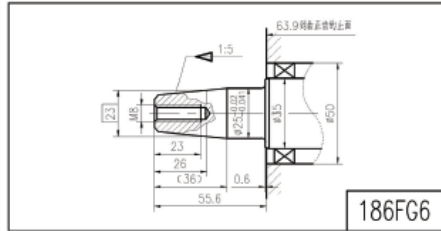
186FG2



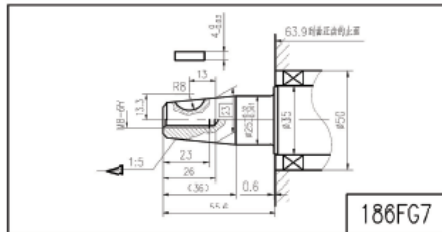
186FG3



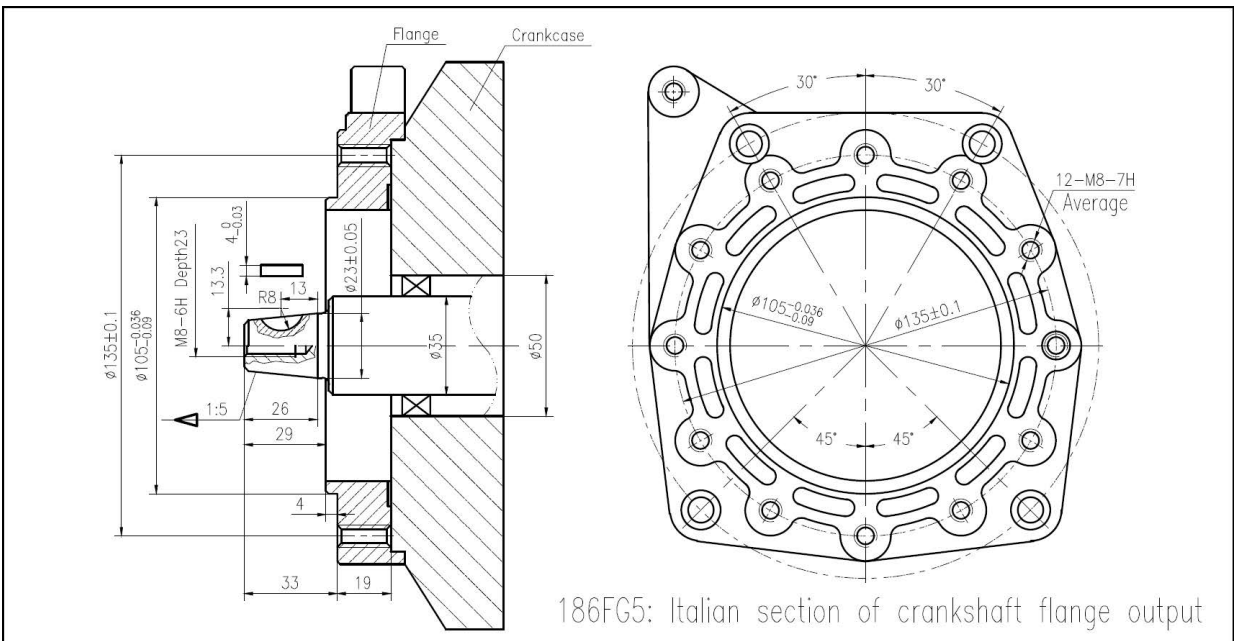
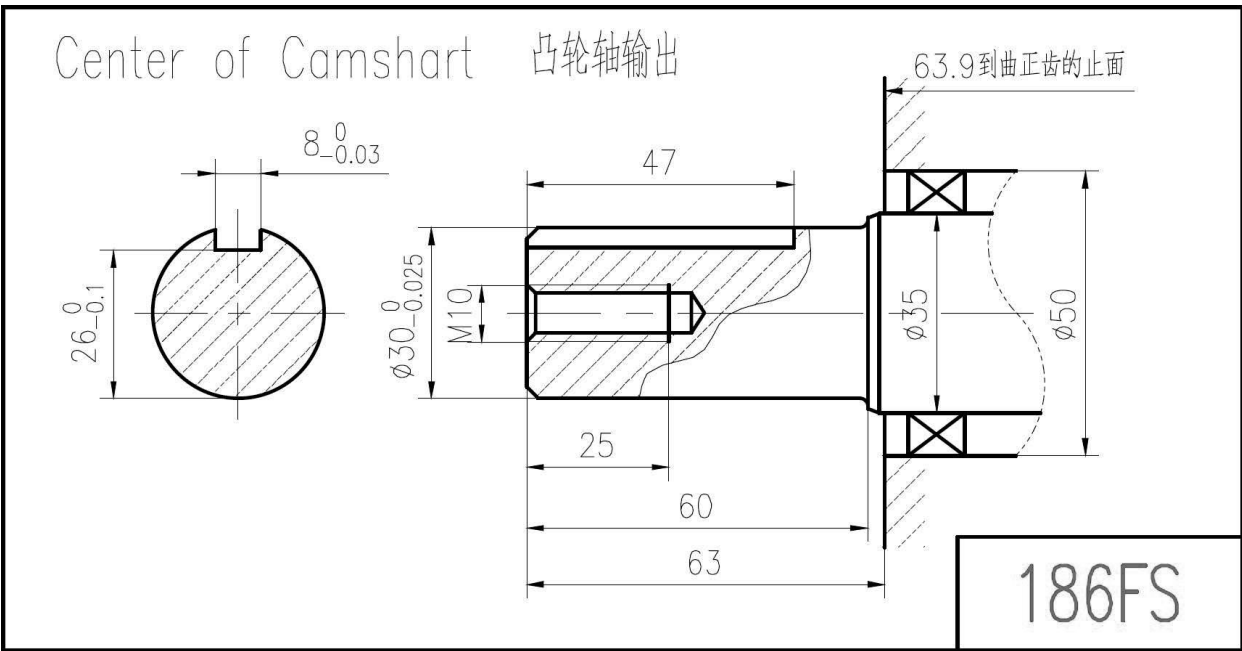
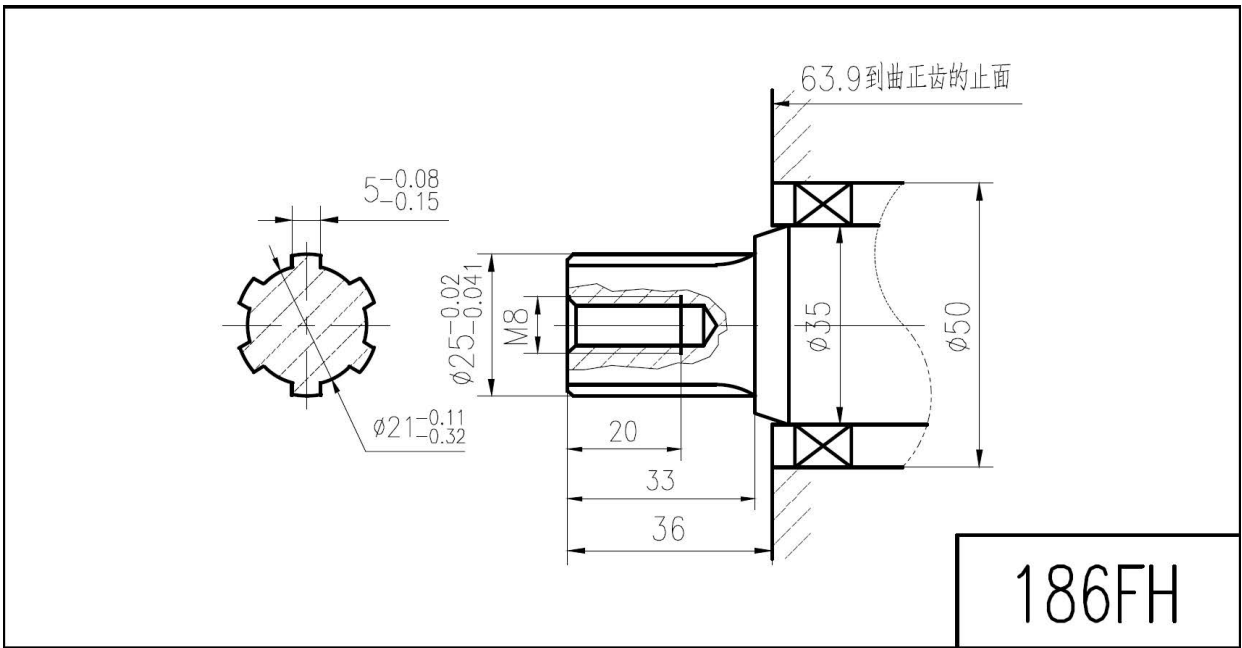
186FG5

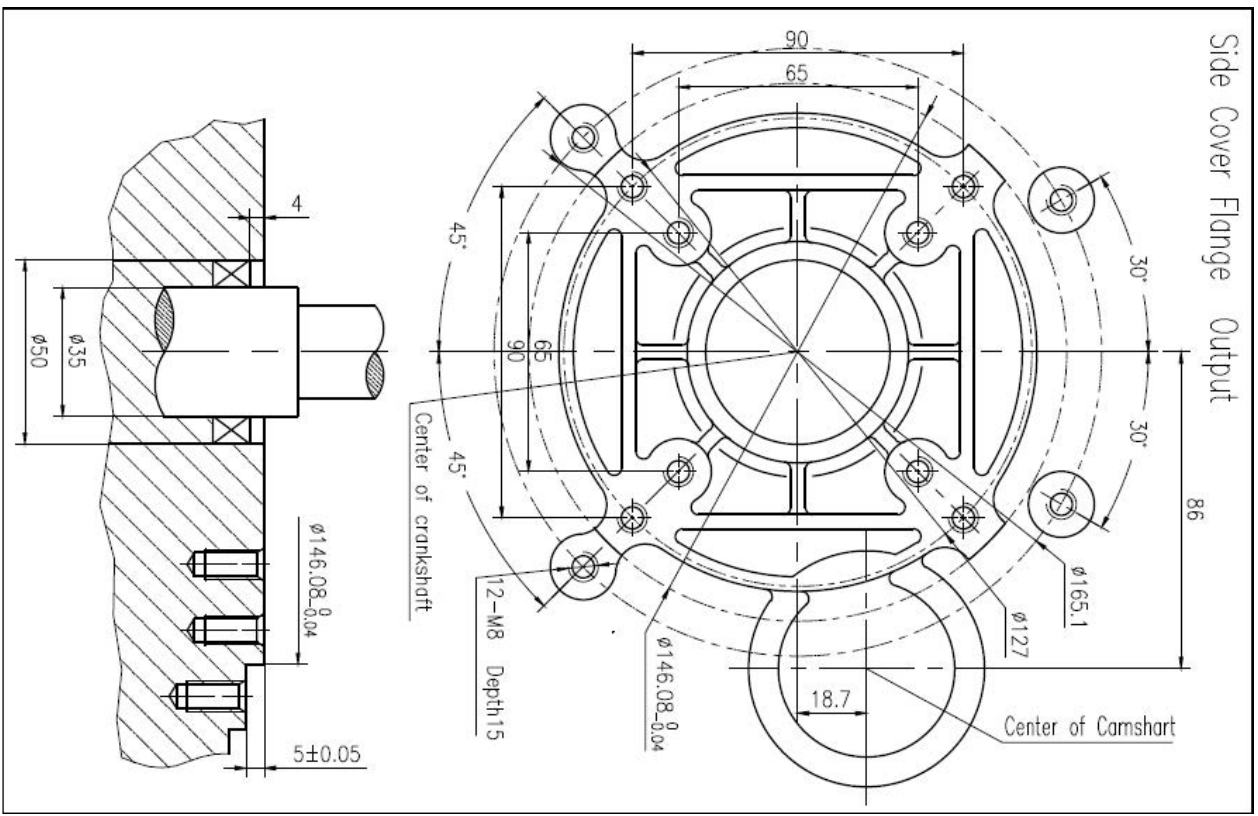


186FG6



186FG7





Model	Size:A (mm)	Size:B (mm)	Size:C (mm)	Size:D (mm)	Size:E (mm)	Size:F (mm)
SH186FA/E	441	417	494	155	227	214

