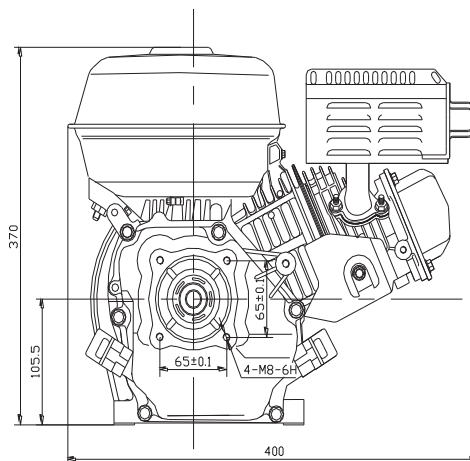
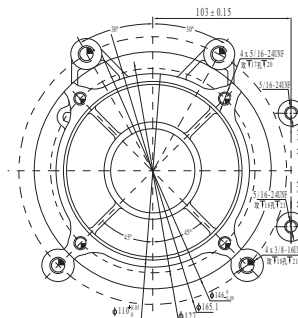
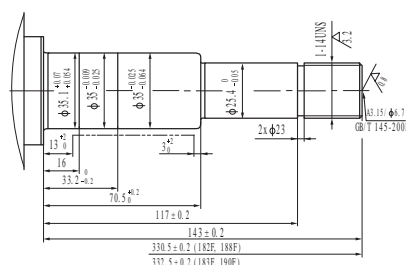


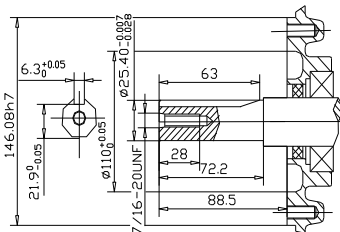
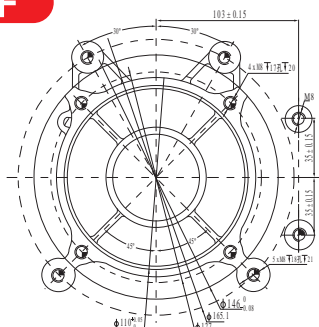
GASOLINE ENGINE



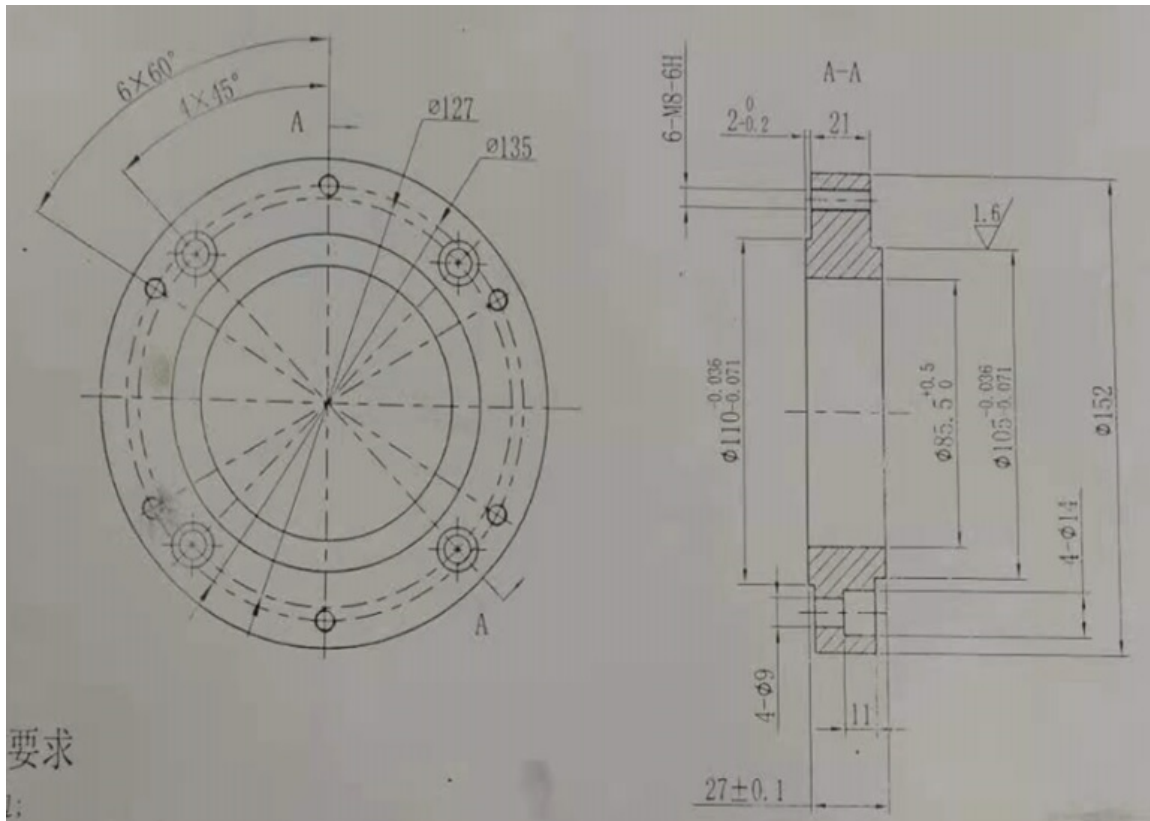
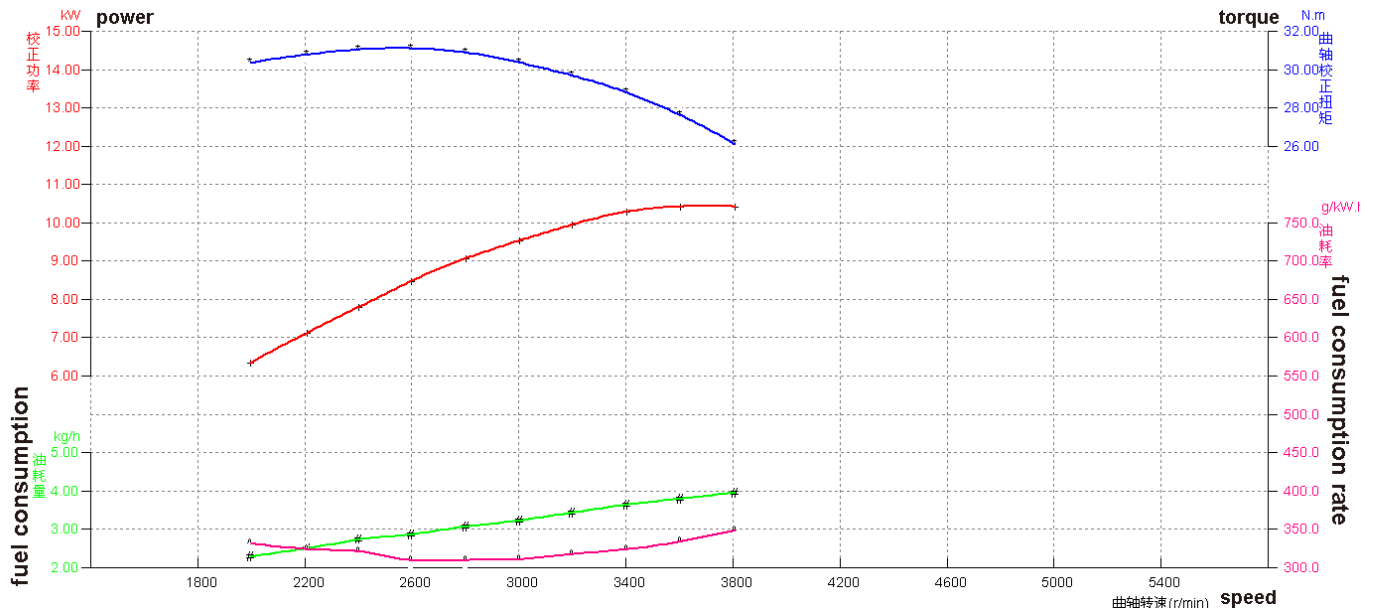
NK188F

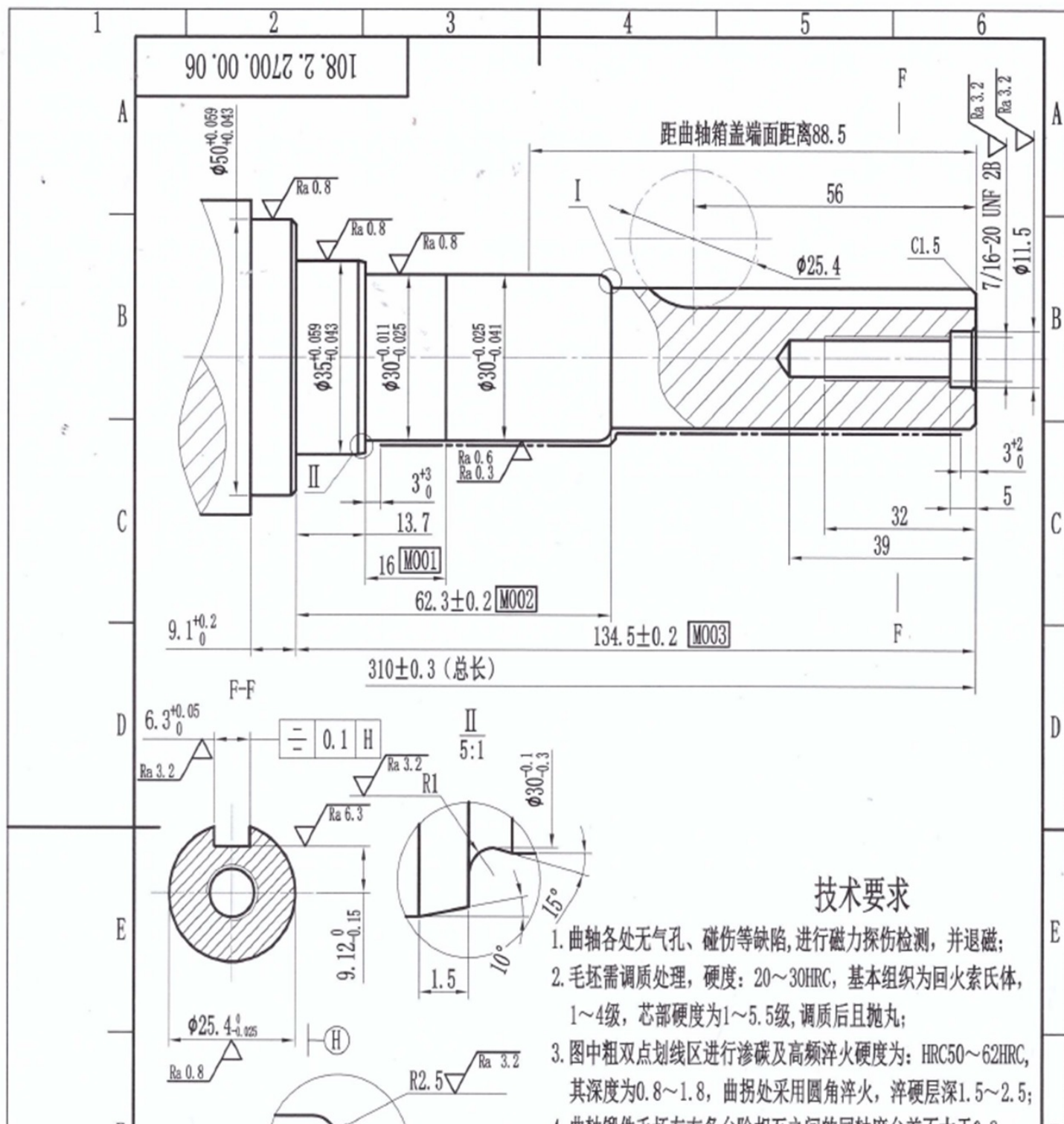


NK190F



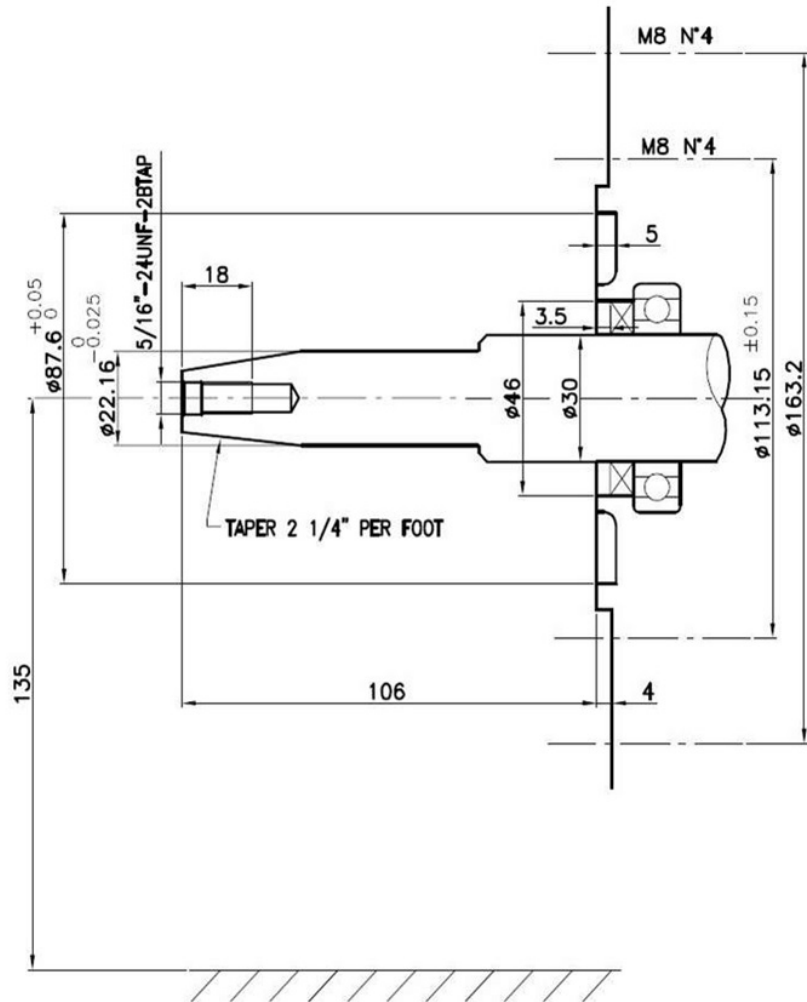
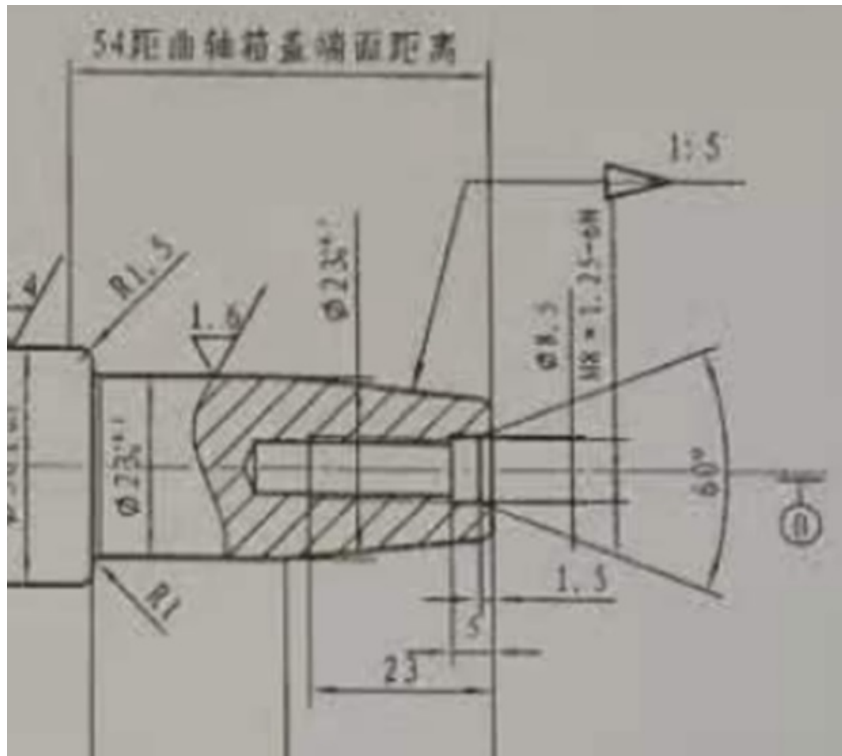
Model		NK188F	NK190F
Engine Type		Single-cylinder vertical	4-stroke
Bore*Stroke	mm	88*64	90*66
Displacement	cc	389	420
Rotation Speed	rpm	3600	3600
Max. Output Power	HP	13	15
Fuel Tank Capacity	Lt	6.5	6.5
Oil Capacity	ml	1.1	1.1
Starting System		Recoil or Electric	Recoil or Electric
Compression Ratio		8.0:1	8.4:1
Overall Dimension	mm	555*435*510	555*435*510
Weight	Kg	36/38	38/40
20GP/40GP/40HQ Loading	pcs	220/460/540	220/460/540
Emission Compliance		Available also in Stage V	





技术要求

1. 曲轴各处无气孔、碰伤等缺陷, 进行磁力探伤检测, 并退磁;
2. 毛坯需调质处理, 硬度: 20~30HRC, 基本组织为回火索氏体, 1~4级, 芯部硬度为1~5.5级, 调质后且抛丸;
3. 图中粗双点划线区进行渗碳及高频淬火硬度为: HRC50~62HRC, 其深度为0.8~1.8, 曲拐处采用圆角淬火, 淬硬层深1.5~2.5;



Size:A (mm)	Size:B (mm)	Size:C (mm)	Size:D (mm)	Size:E (mm)	Size:F (mm)
470	375	445	133,5	132,5	337,5

