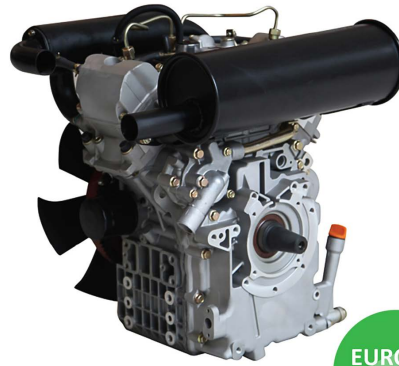
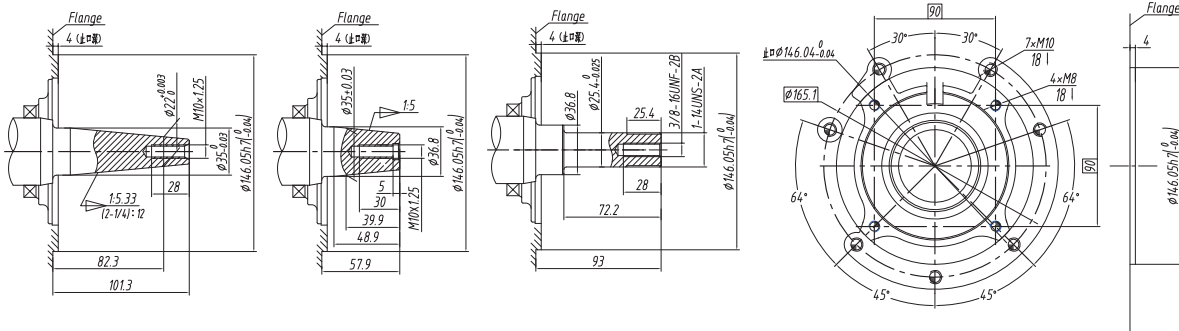


WATER COOLED DIESEL ENGINE



NK2V80



Model		NK2V80
Engine Type		V-Twin cylinder 4-stroke water-cooled
Bore*Stroke	mm	80*79
Displacement	cc	794
Max Rotation Speed	rpm	3600
Max Output Power	HP	19
Fuel Tank Capacity	Lt	/
Oil Capacity	ml	1500-3300
Fuel consumption	gr/Kw*h	285
Starter Model		Electric
Compression Ratio		24:1
Overall Dimension	mm	615*530*700
Weight	Kg	58/65

