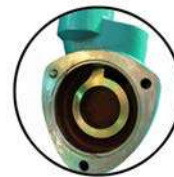
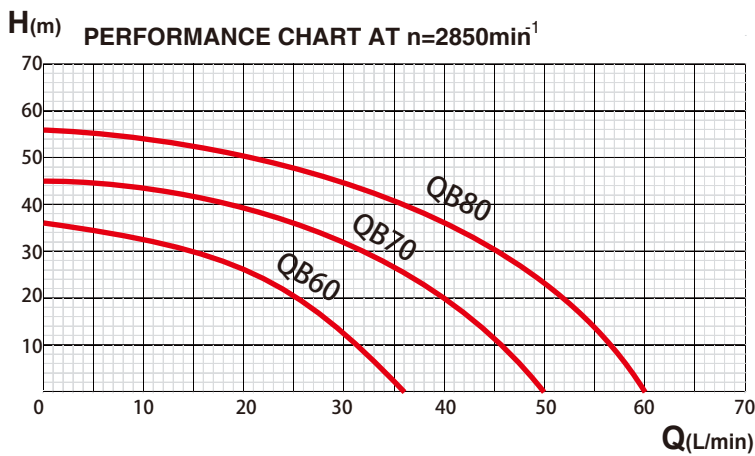


PERIPHERAL PUMP

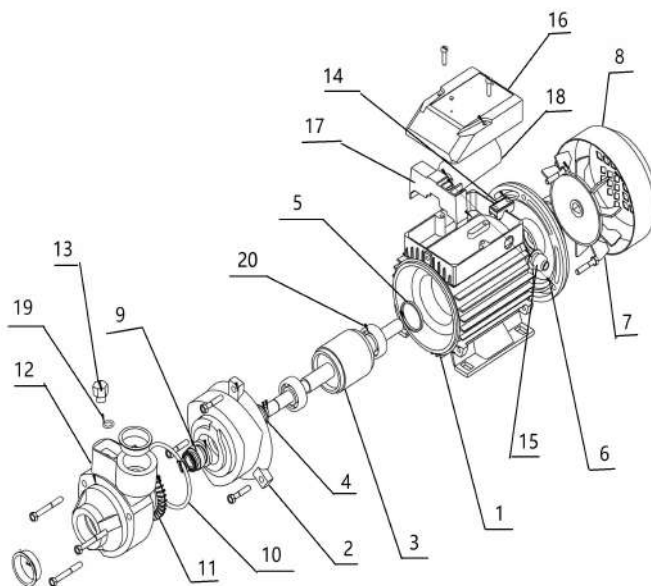
Peripheral Pumps are suitable for pumping clean water. They are particularly suitable for domestic applications such as supply water from well, pool well, pool etc. They are also suitable for water pressure boosting, gardening and automatic water supplying system if composed with other appliances.

50Hz - Technical parameter

Model	Voltage	Frequency	Power		Current	H. Max	Q. Max	Size	S. Head	G.W
	V	Hz	kW	HP	amp	m	L/min	inch	m	kg
QB60	220	50	0.37	0.5	2.9	36	36	G1" × G1"	8	5
QB70	220	50	0.55	0.75	3.5	45	50	G1" × G1"	8	8
QB80	220	50	0.75	1	5.5	55	60	G1" × G1"	8	8.5



Brass antiblock system



EXPLODED VIEW DRAWING - SPARE PARTS

No.	Description.	No.	Description.
1	Motor body	14	Wire clip
2	Motor front cover	15	Fairlead
3	Rotor	16	Terminal cover
4	Washer	17	Terminal block
5	Spring washer	18	Capacitor
6	Motor end cover	19	Seal
7	Fan	20	Ball bearing
8	Fan cover		
9	Mechanical seal		
10	O ring		
11	Impeller		
12	Pump body		
13	Flit plug screw		

available also in 60Hz