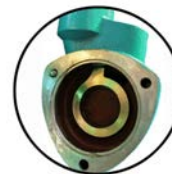
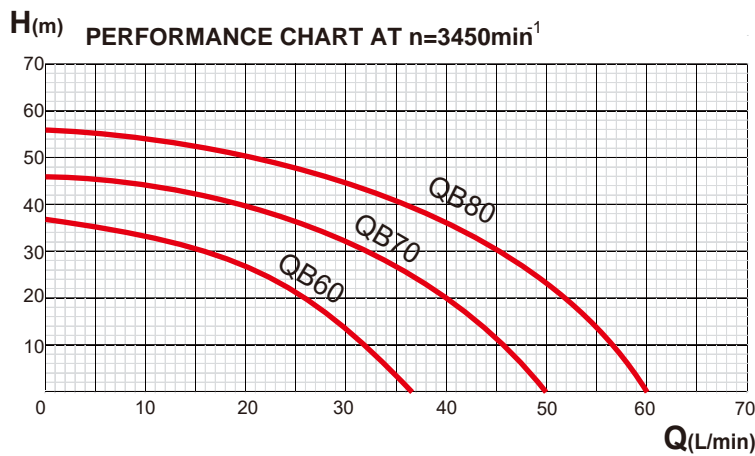


PERIPHERAL PUMP

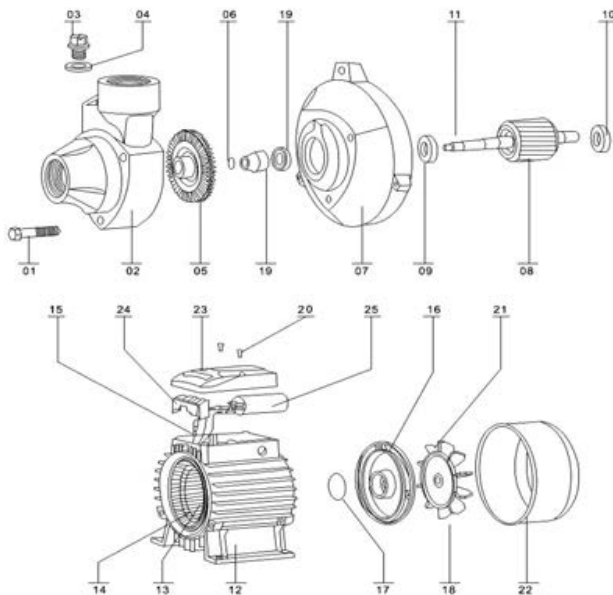
Peripheral Pumps are suitable for pumping clean water. They are particularly suitable for domestic applications such as supply water from well, pool well, pool etc. They are also suitable for water pressure boosting, gardening and automatic water supplying system if composed with other appliances.

60Hz - Technical parameter

Model	Voltage	Frequency	Power		Current	H.Max	Q.Max	Size	S.Head	G.W
			kW	HP	amp	m	L/min	inch	m	kg
QB60	110V/220V	60Hz	0.37	0.5	4.9/2.9	36	36	G1"xG1"	8	5
QB70	110V/220V	60Hz	0.55	0.75	6.9/3.5	45	50	G1"xG1"	8	8.7
QB80	110V/220V	60Hz	0.75	1	10/5.5	55	60	G1"xG1"	8	9.7



Brass antiblock system



EXPLODED VIEW DRAWING - SPARE PARTS

No.	Description.	No.	Description.
1	Screw	14	Stator Coil
2	Pump Body	15	Connection Wire
3	Flit Plug Screw	16	Motor End cover
4	Seal	17	Spring Washer
5	Impeller	18	Screw
6	Locking Ring	19	Mechanical Seal
7	Motor Front cover	20	Screw
8	Motor Rotor	21	Fan
9	Ball Bearing	22	Fan Cover
10	Ball Bearing	23	Terminal Cover
11	Locking Unit	24	Terminal Block
12	Motor Body	25	Capacitor
13	Stator		

available also in 50Hz