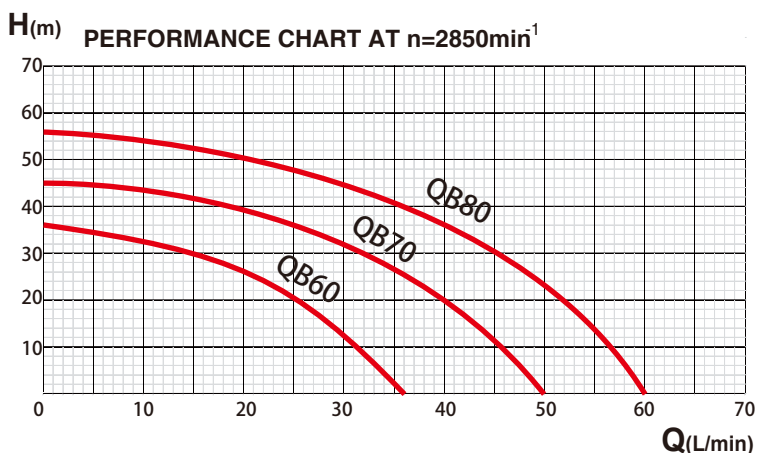


## PERIPHERAL PUMP

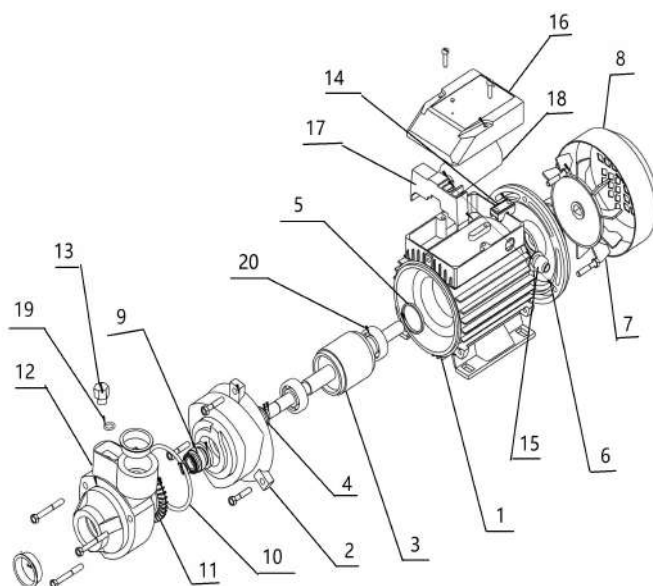
**Peripheral Pumps** are suitable for pumping clean water. They are particularly suitable for domestic applications such as supply water from well, pool well, pool etc. They are also suitable for water pressure boosting, gardening and automatic water supplying system if composed with other appliances.

### 50Hz - Technical parameter

| Model | Voltage | Frequency | Power |      | Current | H. Max | Q. Max | Size      | S. Head | G.W |
|-------|---------|-----------|-------|------|---------|--------|--------|-----------|---------|-----|
|       | V       | Hz        | kW    | HP   | amp     | m      | L/min  | inch      | m       | kg  |
| QB60  | 220     | 50        | 0.37  | 0.5  | 2.9     | 36     | 36     | G1" × G1" | 8       | 5   |
| QB70  | 220     | 50        | 0.55  | 0.75 | 3.5     | 45     | 50     | G1" × G1" | 8       | 8   |
| QB80  | 220     | 50        | 0.75  | 1    | 5.5     | 55     | 60     | G1" × G1" | 8       | 8.5 |



Brass antiblock system



#### EXPLODED VIEW DRAWING - SPARE PARTS

| No. | Description.      | No. | Description.   |
|-----|-------------------|-----|----------------|
| 1   | Motor body        | 14  | Wire clip      |
| 2   | Motor front cover | 15  | Fairlead       |
| 3   | Rotor             | 16  | Terminal cover |
| 4   | Washer            | 17  | Terminal block |
| 5   | Spring washer     | 18  | Capacitor      |
| 6   | Motor end cover   | 19  | Seal           |
| 7   | Fan               | 20  | Ball bearing   |
| 8   | Fan cover         |     |                |
| 9   | Mechanical seal   |     |                |
| 10  | O ring            |     |                |
| 11  | Impeller          |     |                |
| 12  | Pump body         |     |                |
| 13  | Flit plug screw   |     |                |

available also in 60Hz