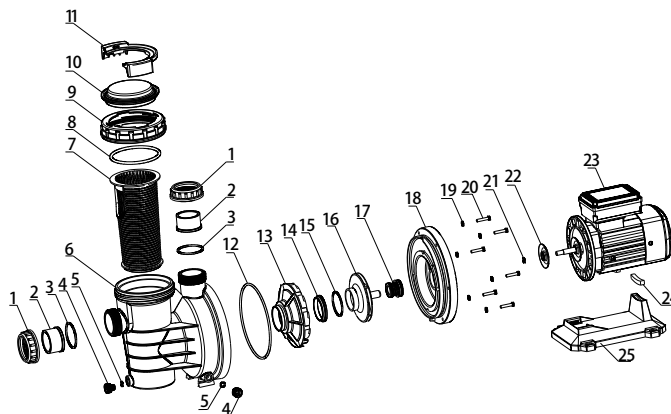
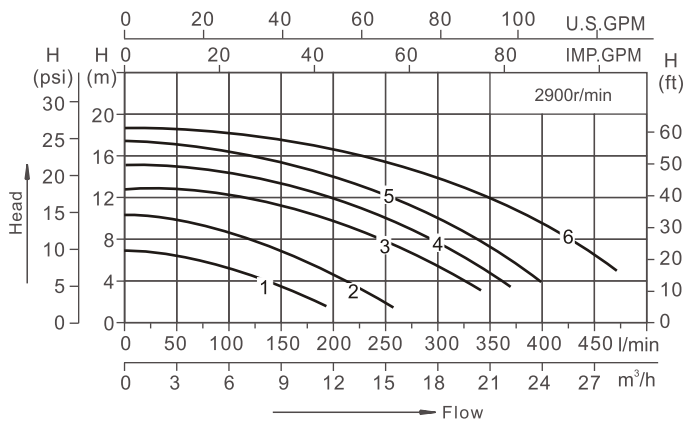


# SWIMMING POOL PUMP

Swimming pool pumps are applied to liquid circulation and filtration of Spa and bath, swimming pools, water treatment facility and decoration pools, etc.

## 50Hz - Technical parameter

Model	Voltage	Frequency	Power P1		Current	Max head	Max flow	Fitting size	G.W	Curves
	V	Hz	Kw	HP	Amp	m	L/min	mm	kg	
SWIM025	220	50	0.37	0.5	1.9	7	195	48.5 or 50	9.6	1
SWIM035	220	50	0.55	0.75	2.7	10	255	48.5 or 50	10.7	2
SWIM050	220	50	0.75	1.0	3.8	12.5	340	48.5 or 50	11.3	3
SWIM075	220	50	0.90	1.2	4.6	15	370	48.5 or 50	12.5	4
SWIM100	220	50	1.1	1.5	5.8	17.5	390	48.5 or 50	13	5
SWIM150	220	50	1.50	2.0	7.0	18.5	470	48.5 or 50	13.8	6



### EXPLODED VIEW DRAWING - SPARE PARTS

No.	Description	No.	Description
1	Tie-in Nut	14	Activities Rings
2	Tie	15	O-Ring
3	O-Ring	16	Impeller
4	Drainage Plug	17	Mechanical Seal
5	O-Ring	18	Pump Cover
6	Pump Casing	19	Pad
7	Filter	20	Hexagon bolt
8	O-Ring	21	O-Ring
9	Gland cover	22	Retaining ring
10	Transparent cover	23	Motor
11	Open cover hand	24	Plastic strips
12	O-Ring	25	Base
13	Diffuser		

available also in 60Hz