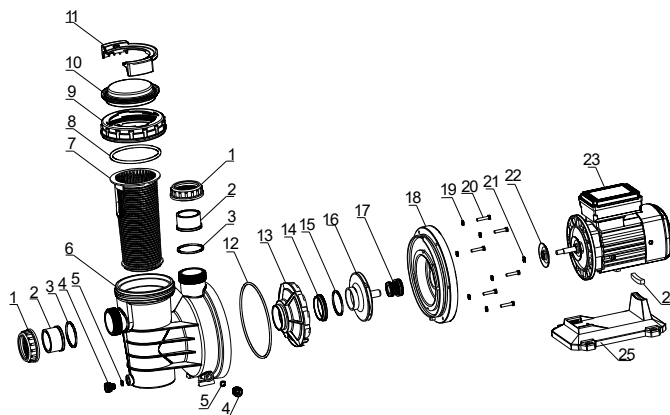
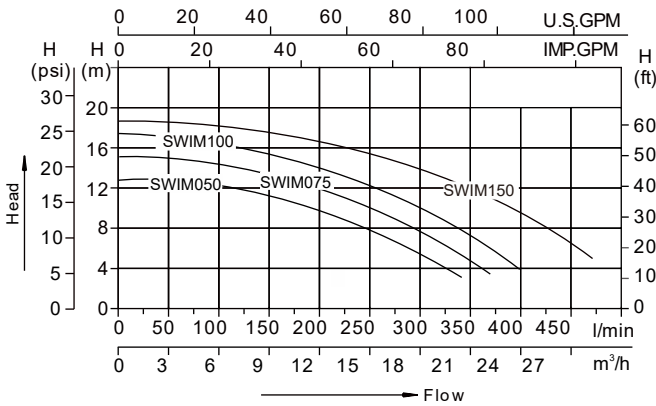


# SWIMMING POOL PUMP

Swimming pool pumps are applied to liquid circulation and filtration of Spa and bath, swimming pools, water treatment facility and decoration pools, etc.

## 60Hz - Technical parameter

| Model   | Voltage  | Frequency | Power P1 |      | Power P2 |      | Current | Max head | Max flow | Fitting size |
|---------|----------|-----------|----------|------|----------|------|---------|----------|----------|--------------|
|         |          |           | kW       | HP   | Kw       | HP   | Amp     | m        | L/min    | mm           |
| SWIM050 | 220-240V | 60Hz      | 0.75     | 1.00 | 0.55     | 0.75 | 3.80    | 13       | 340.00   | 48.5 or 50   |
| SWIM075 | 220-240V | 60Hz      | 0.90     | 1.20 | 0.65     | 0.85 | 4.60    | 15       | 370.00   | 48.5 or 50   |
| SWIM100 | 220-240V | 60Hz      | 1.10     | 1.50 | 0.75     | 1.00 | 5.80    | 18       | 390.00   | 48.5 or 50   |
| SWIM150 | 220-240V | 60Hz      | 1.50     | 2.00 | 1.10     | 1.50 | 7.00    | 19       | 470.00   | 48.5 or 50   |



### EXPLODED VIEW DRAWING - SPARE PARTS

| No. | Description       | No. | Description      |
|-----|-------------------|-----|------------------|
| 1   | Tie-in Nut        | 14  | Activities Rings |
| 2   | Tie               | 15  | O-Ring           |
| 3   | O-Ring            | 16  | Impeller         |
| 4   | Drainage Plug     | 17  | Mechanical Seal  |
| 5   | O-Ring            | 18  | Pump Cover       |
| 6   | Pump Casing       | 19  | Pad              |
| 7   | Filter            | 20  | Hexagon bolt     |
| 8   | O-Ring            | 21  | O-Ring           |
| 9   | Gland cover       | 22  | Retaining ring   |
| 10  | Transparent cover | 23  | Motor            |
| 11  | Open cover hand   | 24  | Plastic strips   |
| 12  | O-Ring            | 25  | Base             |
| 13  | Diffuser          |     |                  |

available also in 50Hz