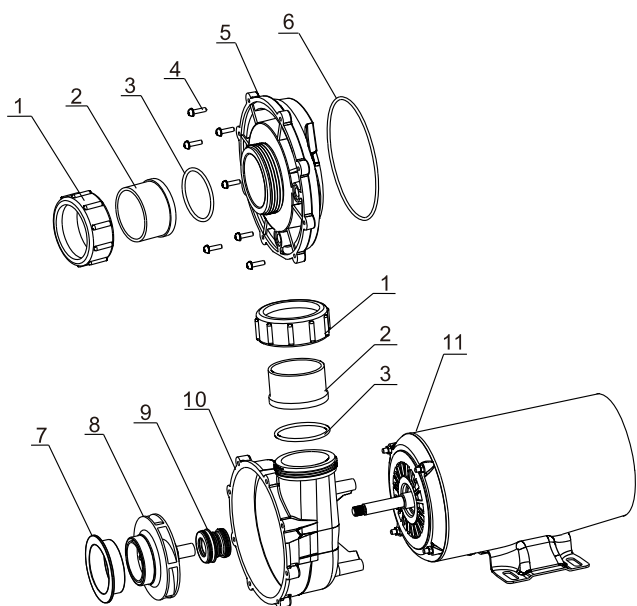
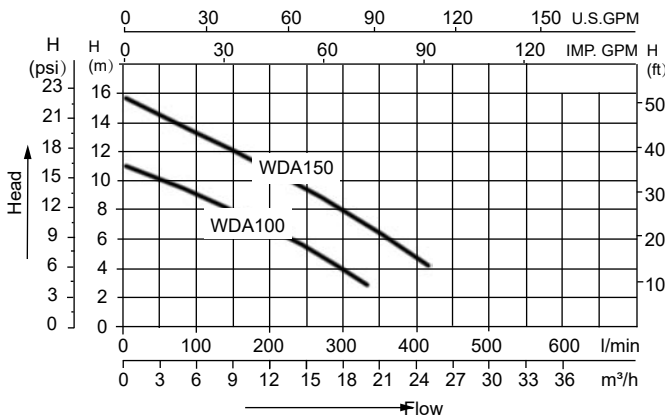


HYDROMASSAGE BATHTUB PUMP

Hydromassage bathtub pumps is most suitable for hydromassage bathtub and sea water convey; Weak corrosive liquid (weak acid and weak alkali) without solid granules.

60Hz - Technical parameter

Model	Voltage	Frequency	Power P1		Power P2		Current	Max head	Max flow	Fitting size
			kW	HP	Kw	HP	Amp	m	L/min	mm
WDA100	220-240V	60Hz	0.55	0.75	0.75	1.00	3.80	11.00	340	48.5 or 50
WDA150	220-240V	60Hz	0.90	1.20	1.10	1.50	5.00	16.00	420	



EXPLODED VIEW DRAWING - SPARE PARTS

No.	Description	No.	Description
1	Tie-in Nut	8	Impeller
2	Tie	9	Mechanical Seal
3	O-Ring	10	Casing
4	Cross recessed pan head screw and washer assemblies	11	Motor
5	Pump Cover		
6	O-Ring		
7	Activities Rings		

available also in 50Hz